

echo

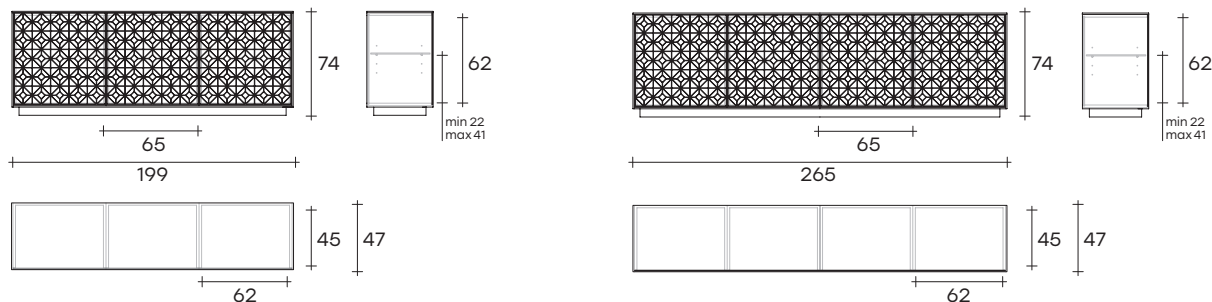
DESIGN MARCEL
WANDERS STUDIO

modello registrato
registered model

portata su ogni piano: 20 kg
portata sul top: 30 kg
load capacity on each shelf: 20 kg
load capacity on the top: 30 kg

Madia con struttura in legno laccato bianco opaco oppure grigio vulcano. Ante in vetro da 6 mm fuso e temperato, disponibili nelle seguenti finiture: vetro extralight retroverniciato bianco, grigio vulcano, oppure retroargentato; vetro bronzo retroargentato. Ripiani interni in vetro fumè da 8 mm temperato.

Cupboard with wooden lacquered opaque white or vulcan grey structure. Doors in 6 mm thick fused and tempered glass, available in the following finishes: extralight back lacquered white, vulcan grey or back silvered glass; back silvered bronze glass. Inner shelves in 8 mm thick tempered smoke glass.



dimensioni L, P, H
dimensions L, W, H
(cm)

	COD./CODE	L	P/W	H	peso netto net weight (kg)	peso lordo gross weight (kg)	volume imballo package volume (m ³)
Madia con struttura esterna in legno laccato bianco opaco. Cupboard with external structure in white matt lacquered wood.	ECM199B/...	199	47	74	111	157	1,22
	ECM265B/...	265	47	74	135	183	1,53
Madia con struttura esterna in legno laccato Grigio Vulcano. Cupboard with external structure in Vulcan Grey wood.	ECM199VU/...	199	47	74	111	157	1,22
	ECM265VU/...	265	47	74	135	183	1,53

VETRO RETROVERNICIATO _ BACK PAINTED GLASS

CAT. COLORE COLOR CAT.	COLORI COLORS	CODICE _ CODE	
		Vetro extralight fuso Extra light fused glass	Vetro bronzo fuso Bronze fused glass
CAT.1 Tinta unita Plain color	Bianco White	VXF-B	
CAT.2 Tinta metallizzata Metallic color	Grigio vulcano Vulcan grey	VXF-VU	
ARGENTATURA SILVERING		VXF-AR	VBF-AR

FINITURE FINISHES

Struttura in finitura grigio vulcano Vulcan grey finish structure



ante in vetro extralight fuso
e retroverniciato grigio vulcano
fused extralight glass doors,
vulcan grey back-painted



ante in vetro extralight fuso
e retroargentato
fused and back-silvered
extralight glass doors



ante in vetro bronzo fuso
e retroargentato
fused and back-silvered
bronze glass doors

Struttura in finitura bianco opaco Matt white finish structure



ante in vetro extralight fuso
e retroverniciato bianco
fused extralight glass doors,
white back-painted



ante in vetro extralight fuso
e retroargentato
fused and back-silvered
extralight glass doors



ante in vetro bronzo fuso
e retroargentato
fused and back-silvered
bronze glass doors