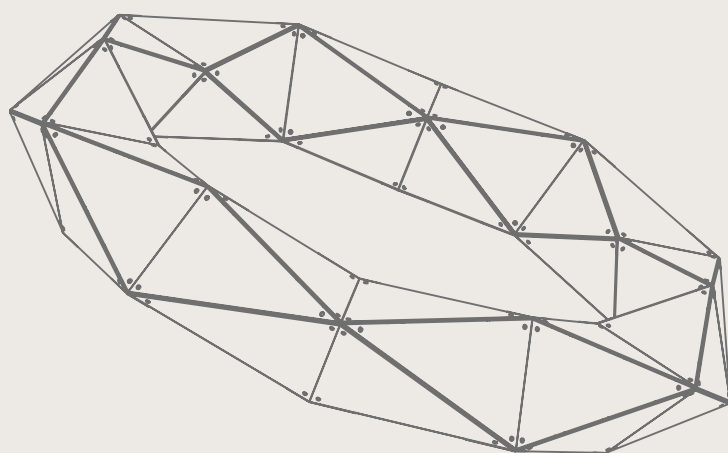


# ILANEL



10  
YEARS



## ABOUT US

ILANEL™ Design Studio was founded in 2010 by Ilan El, a Melbourne based multidisciplinary designer, who works with his team to create original products and bespoke designs by hand from his Melbourne atelier. Experiential lighting is Ilan's passion and his products illuminate spaces around the world, from large-scale hospitality projects to custom one-off residential designs.

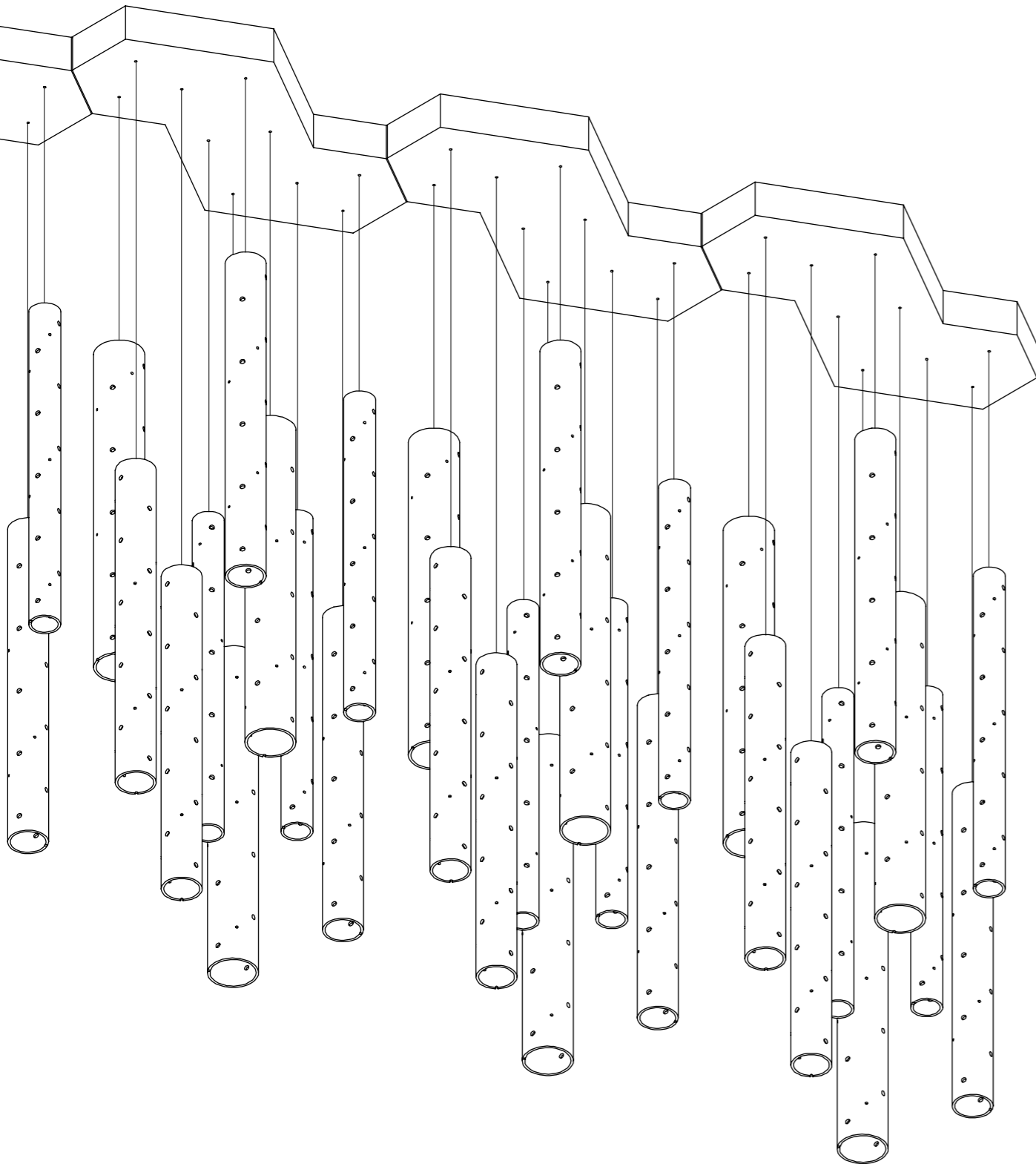
Luminaire design goes beyond the hard, static materiality of object design, exploring the

illuminating, experiential properties of light as it emanates, diffuses and dances around the room. With the ability to highlight, shift mood, create ambience and have a strong presence as a design object in its own right, lighting is the ultimate design challenge.

Making visions come to light, the ILANEL™ team work closely with architects, interior designers and homeowners tailoring bespoke solutions to every project.

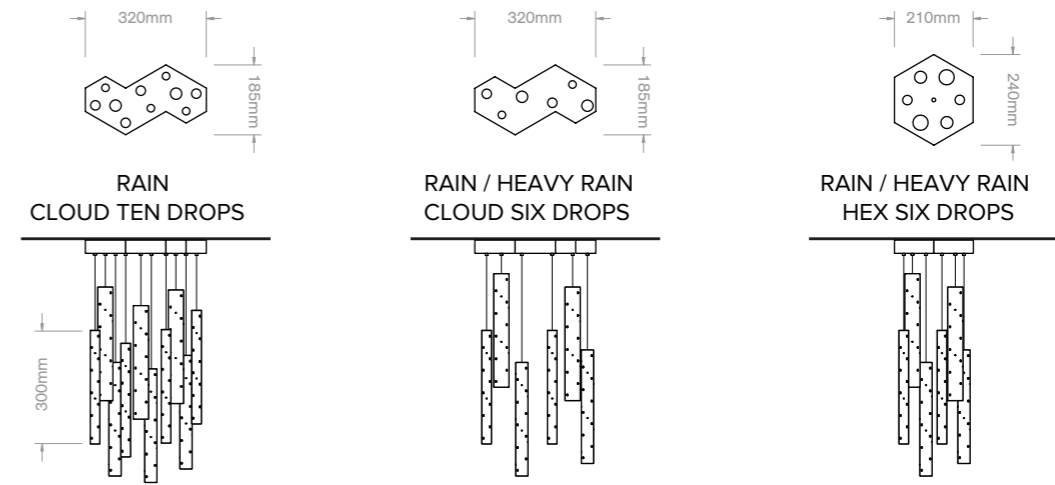
Rain	2	Pearl	38
Black Rain	10	Orbit	40
Sunburst	14	Tree of Light	42
Stardust	16	Ripple	44
Comet	18	Kahdu	48
Supernova	20	Wisteria	56
Ziggy	24	Arum	58
Flash	26	Timeless Halo	62
Atlas	28	Ora	64
Stella	30		
Saturn	34		





# RAIN

MODULAR CHANDELIER



**YEAR OF DESIGN**  
2003

**MADE IN**  
Australia

**MATERIAL**  
Aluminium, Acrylic, Stainless Steel

**LIGHT SOURCE**  
G4, 12V Dimmable LED  
Warm White 3000k

**POWER SUPPLY**  
6 Drop: 16W Dimmable LED Power Supply  
10 Drop: 25W Dimmable LED Power Supply  
AC Phase-cut Dimming  
100-120V / 220-240V

**CORD**  
2m Teflon Coated  
*Longer lengths available upon request*

**AVAILABLE FINISHES**



Silver  
Anodised



Champagne  
Anodised



Gold  
Anodised

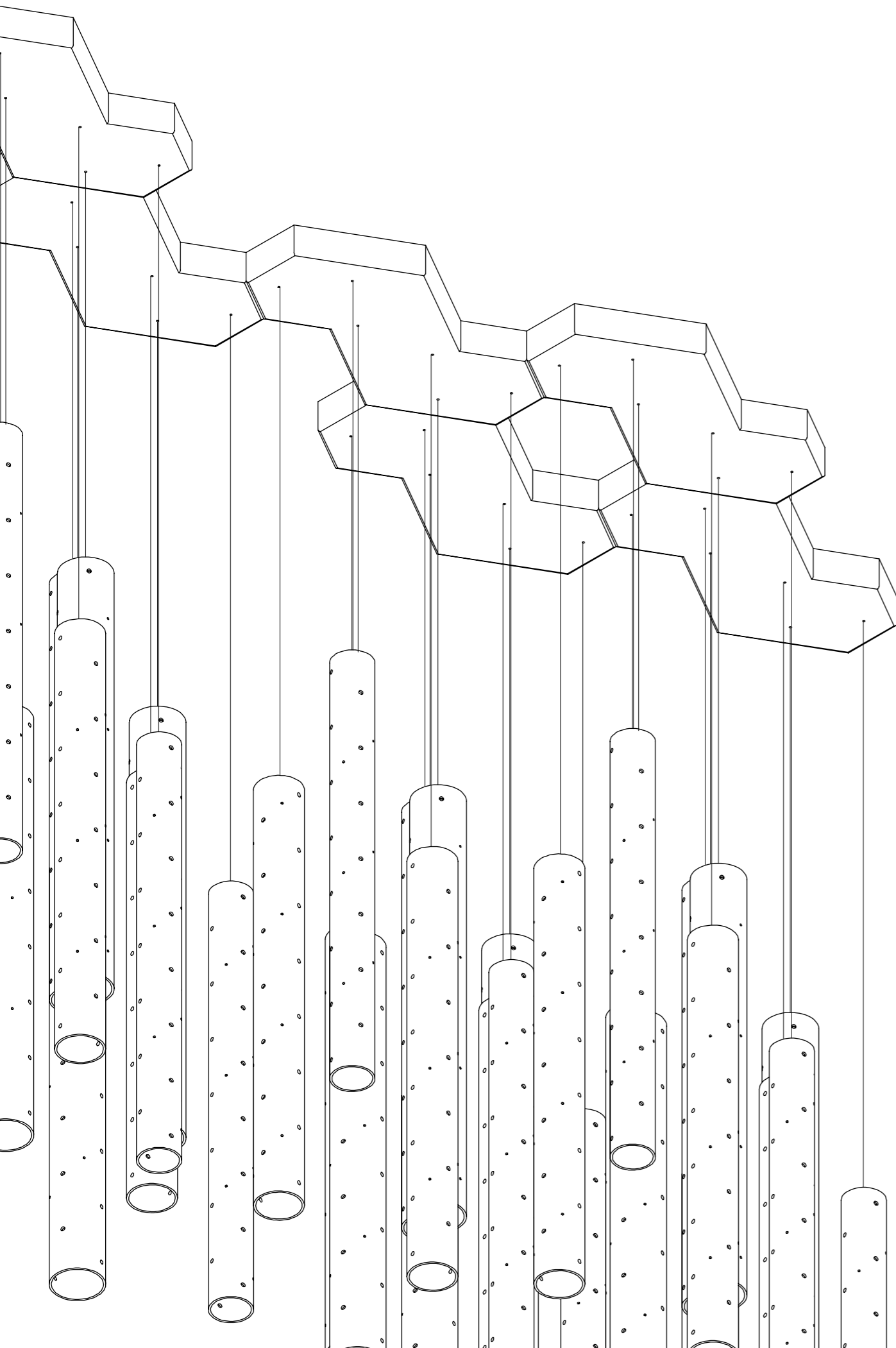
**IP RATING**  
IP20 - For indoor use only

**CERTIFICATION**  
ETL/UL tests and certification available upon request for North America/Canada

**DIMENSIONS**  
**Flute Sizes:**  
25mm Ø / 32mm Ø / 40mm Ø  
Height: 300mm  
**Single Cloud Canopy:**  
320mm x 185mm x 40mm

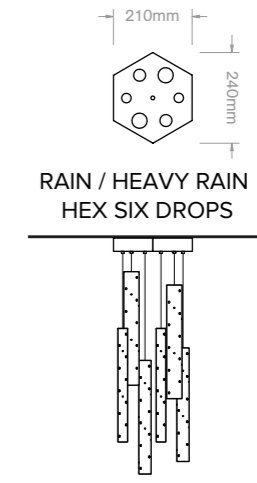
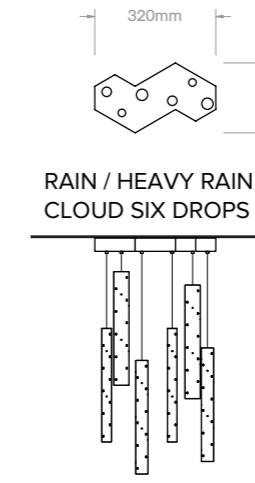
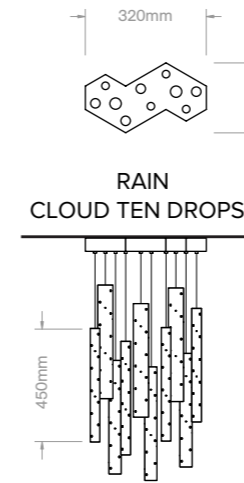
**WEIGHT**  
Single Cloud 6 Drop: 2.5kg  
Single Cloud 10 Drop: 2.8kg

**WARRANTY**  
2 year commercial / 3 year residential



# HEAVY RAIN

MODULAR CHANDELIER



**YEAR OF DESIGN**  
2011

**MADE IN**  
Australia

**MATERIAL**  
Aluminium, Acrylic

**LIGHT SOURCE**  
G4, 12V Dimmable LED  
Warm White 3000k

**POWER SUPPLY**  
16W Dimmable LED Power Supply  
AC Phase-cut Dimming  
100-120V / 220-240V

**CORD**  
2m Teflon Coated  
*Longer lengths available upon request*

**IP RATING**  
IP20 - For indoor use only

**CERTIFICATION**  
ETL/UL tests and certification available upon request for North America/Canada

**DIMENSIONS**  
**Flute Sizes:**  
40mm Ø / 44mm Ø / 50mm Ø  
Height: 450mm  
**Single Cloud Canopy:**  
320m x 185mm x 40mm

**WEIGHT**  
Single Cloud 6 Drop: 3.0kg

**WARRANTY**  
2 year commercial / 3 year residential

**AVAILABLE FINISHES**



Silver  
Anodised



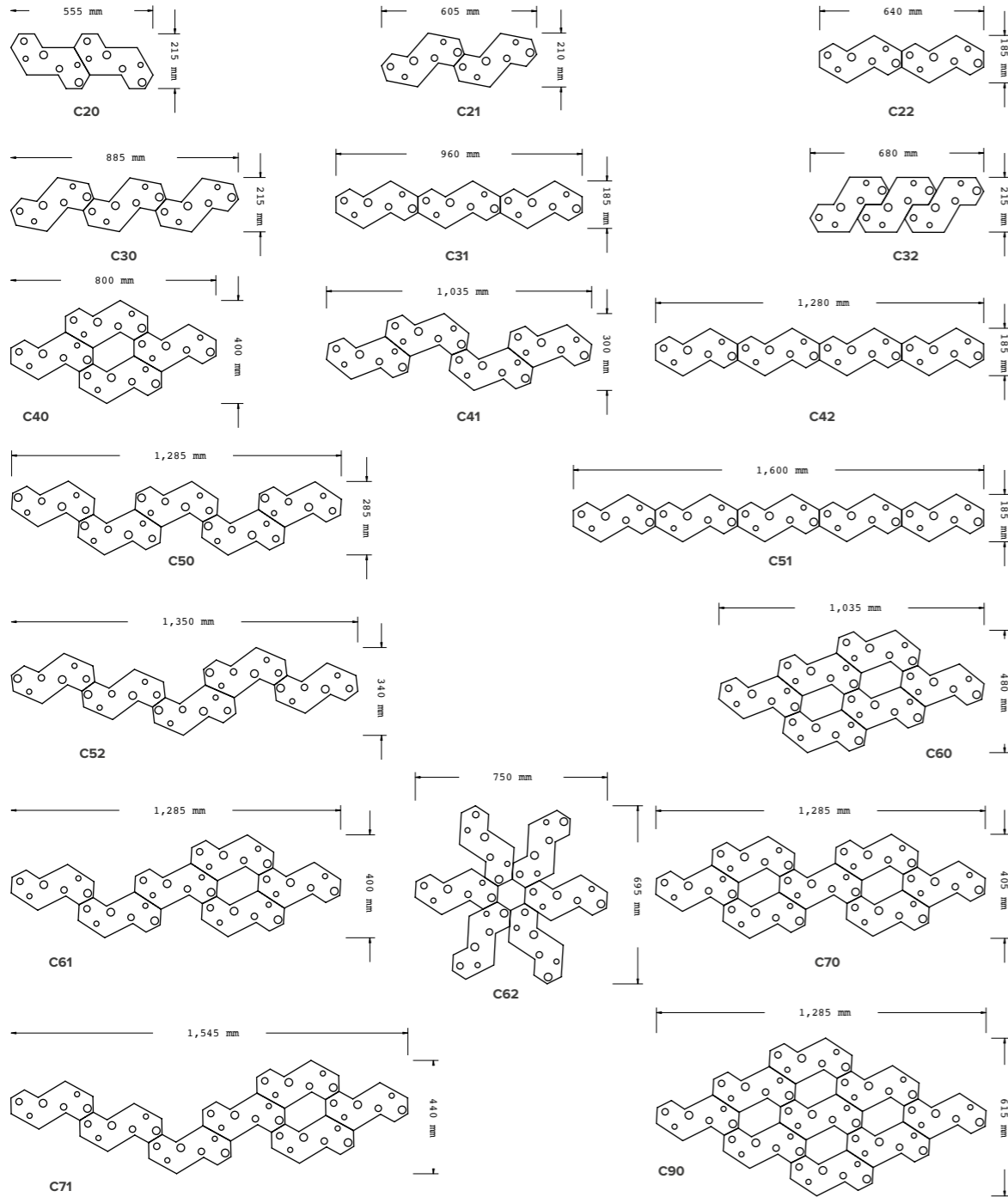
Champagne  
Anodised



Gold  
Anodised

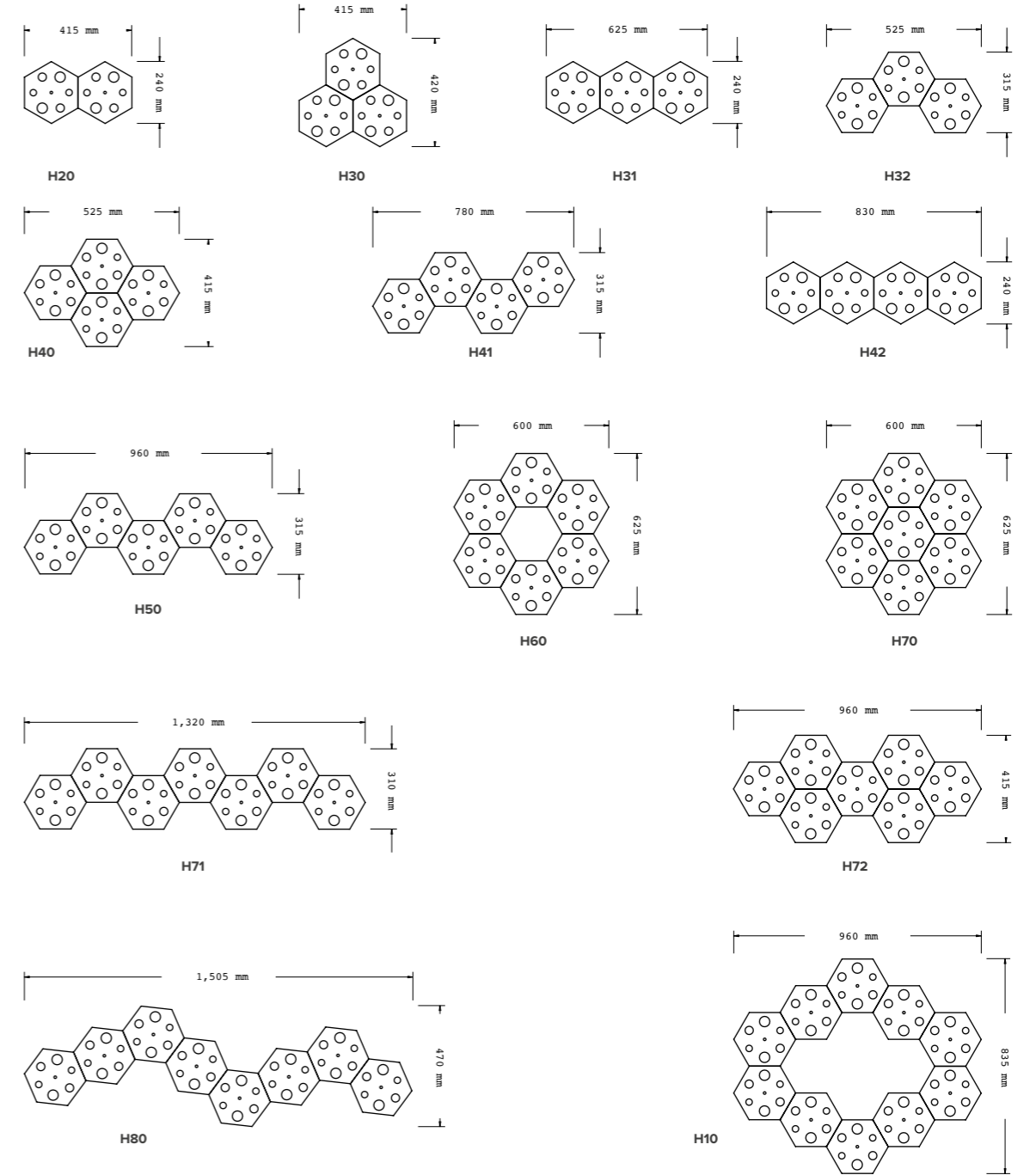
### Cloud Canopy - Configuration Examples

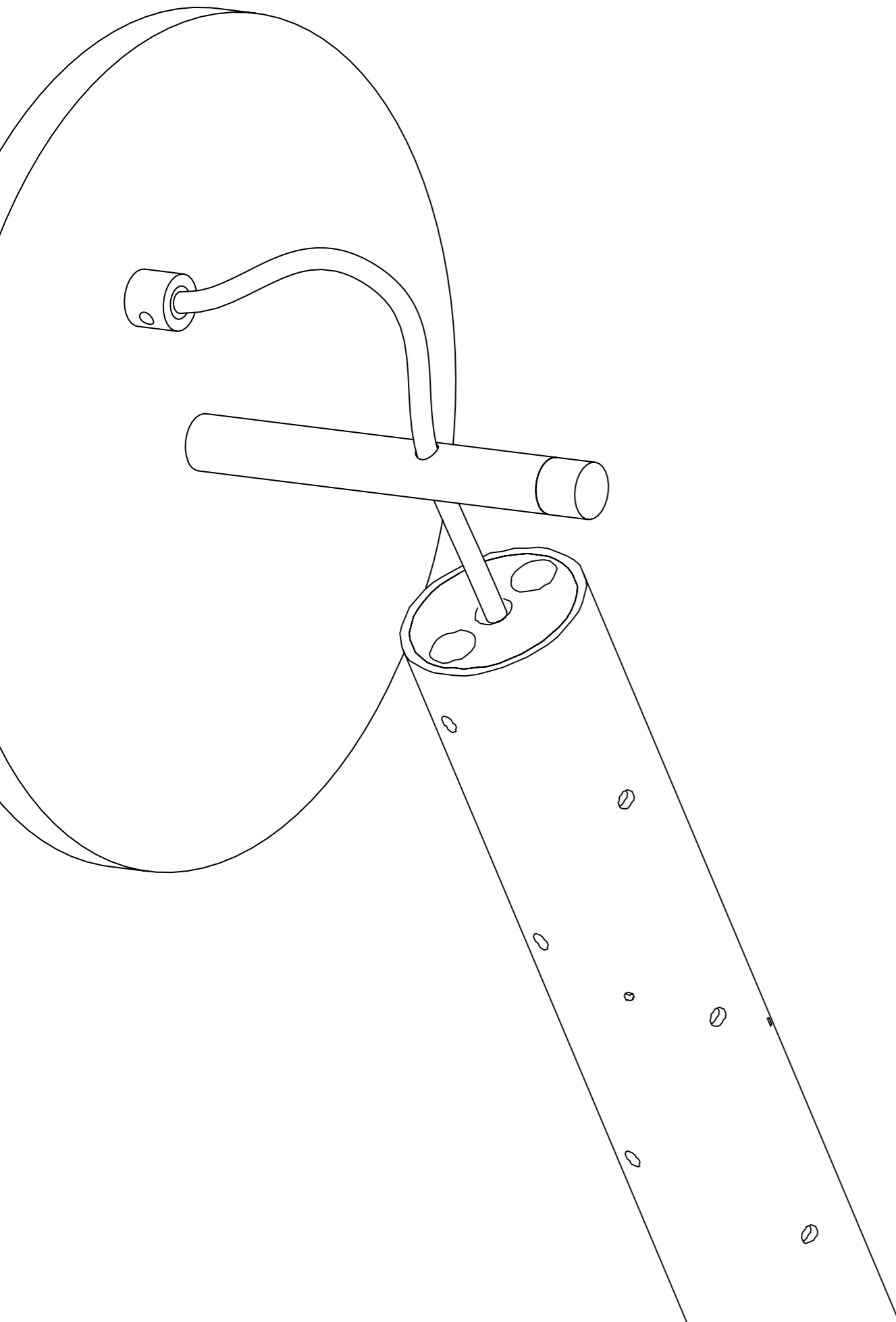
Customisable upon enquiry



### Hex Canopy - Configuration Examples

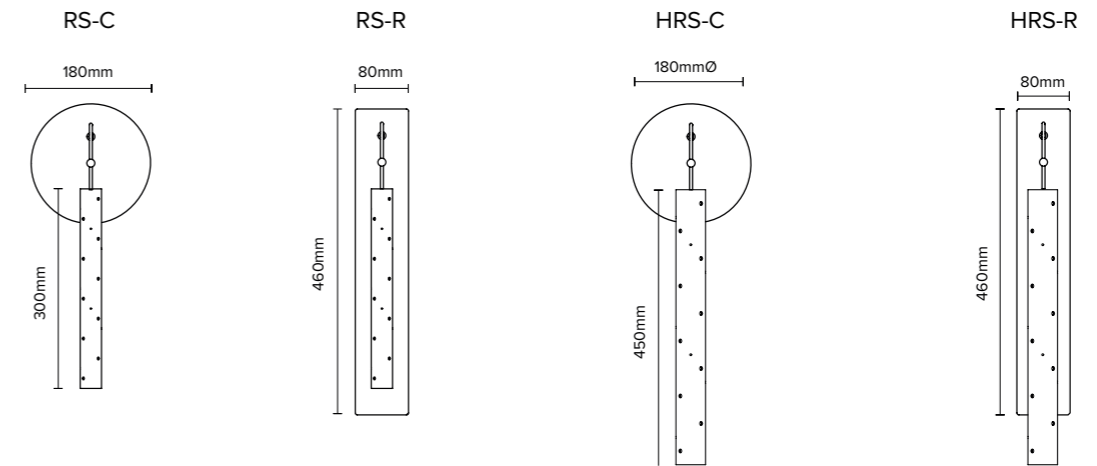
Customisable upon enquiry





# RAIN SCONCE

WALL LIGHT



## YEAR OF DESIGN

2011

## MADE IN

Australia

## MATERIAL

Aluminium, Acrylic

## LIGHT SOURCE

G9, Dimmable LED  
Warm White 3000k  
110V / 230V

## CORD

White Fibreglass

## IP RATING

IP20 - For indoor use only

## CERTIFICATION

ETL/UL tests and certification available upon request for North America/Canada

## DIMENSIONS

### Flute Size Options:

Rain: 40mm Ø x 300mm  
Heavy Rain: 50mm Ø x 450mm

### Wall Plates:

Rectangular: 80mm x 460mm x 10mm  
Round: 180mm Ø x 10mm

## WEIGHT

RS-C: 1.3kg  
RS-R: 1.6kg  
HRS-C: 1.5kg  
HRS-R: 1.8kg

## WARRANTY

2 year commercial / 3 year residential

## AVAILABLE FINISHES



Silver  
Anodised



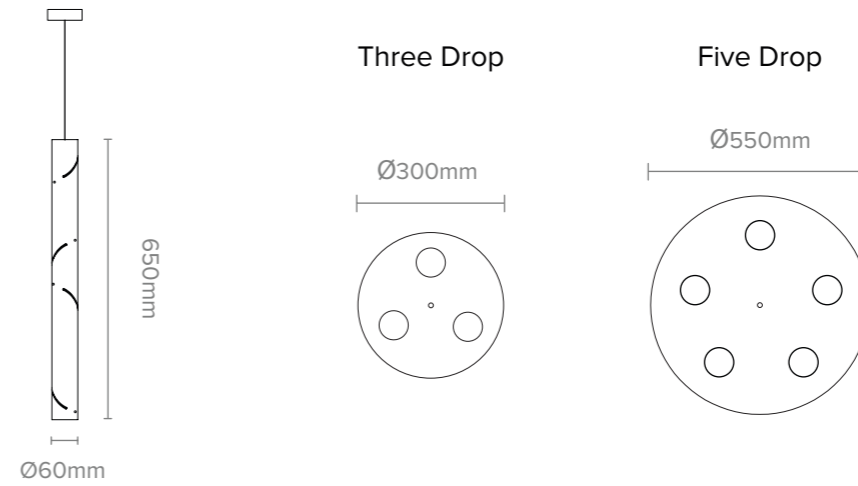
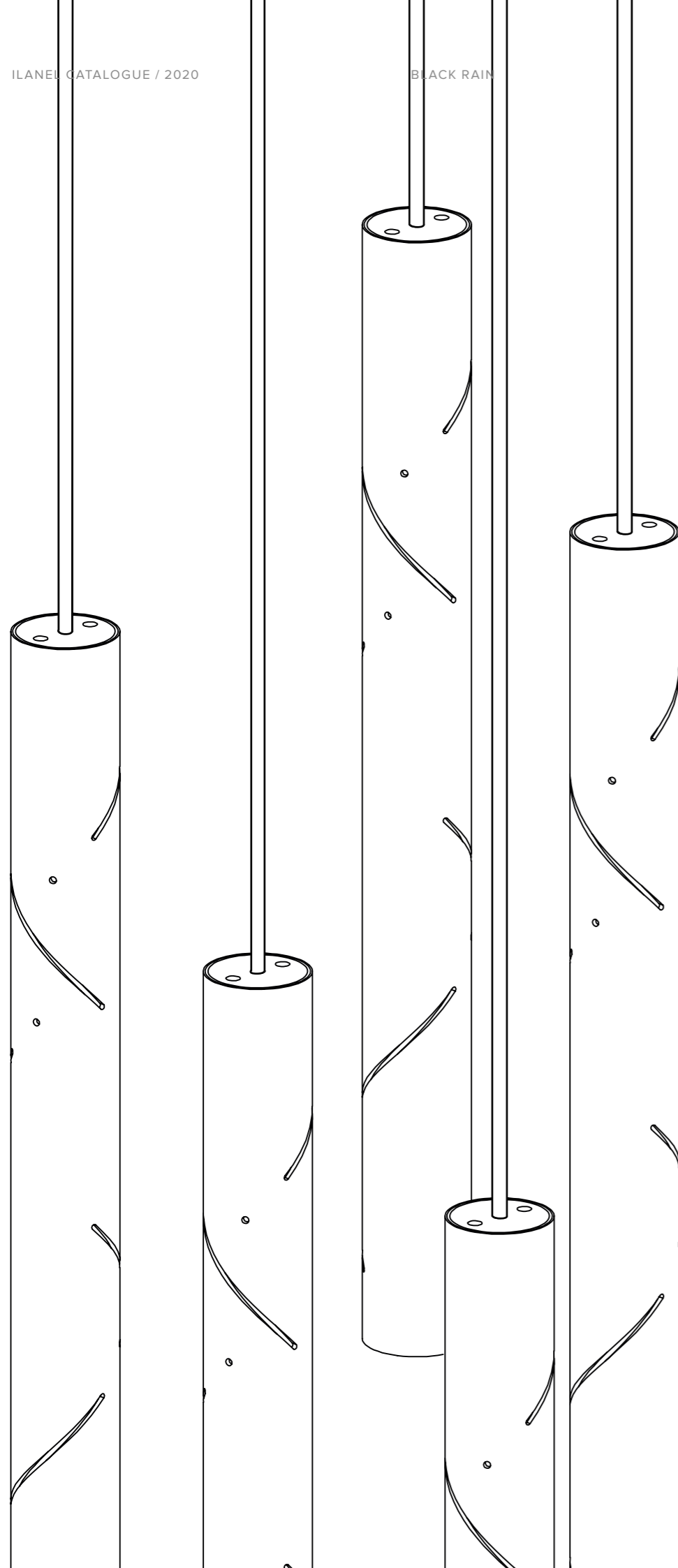
Champagne  
Anodised



Gold  
Anodised

# BLACK RAIN

PENDANT / CHANDELIER



**YEAR OF DESIGN**  
2011

**MADE IN**  
Australia

**MATERIAL**  
Aluminium, Acrylic

**LIGHT SOURCE**  
G9, Dimmable LED  
Warm White 3000k  
110V / 230V

**CORD**  
2m Black/White Cotton Braided  
*Longer lengths available upon request*

**IP RATING**  
IP20 - For indoor use only

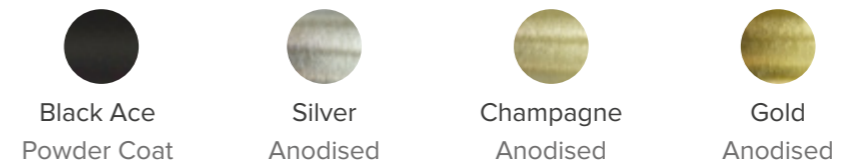
**CERTIFICATION**  
ETL/UL tests and certification available upon request for North America/Canada

**DIMENSIONS**  
60mm Ø x 650mm

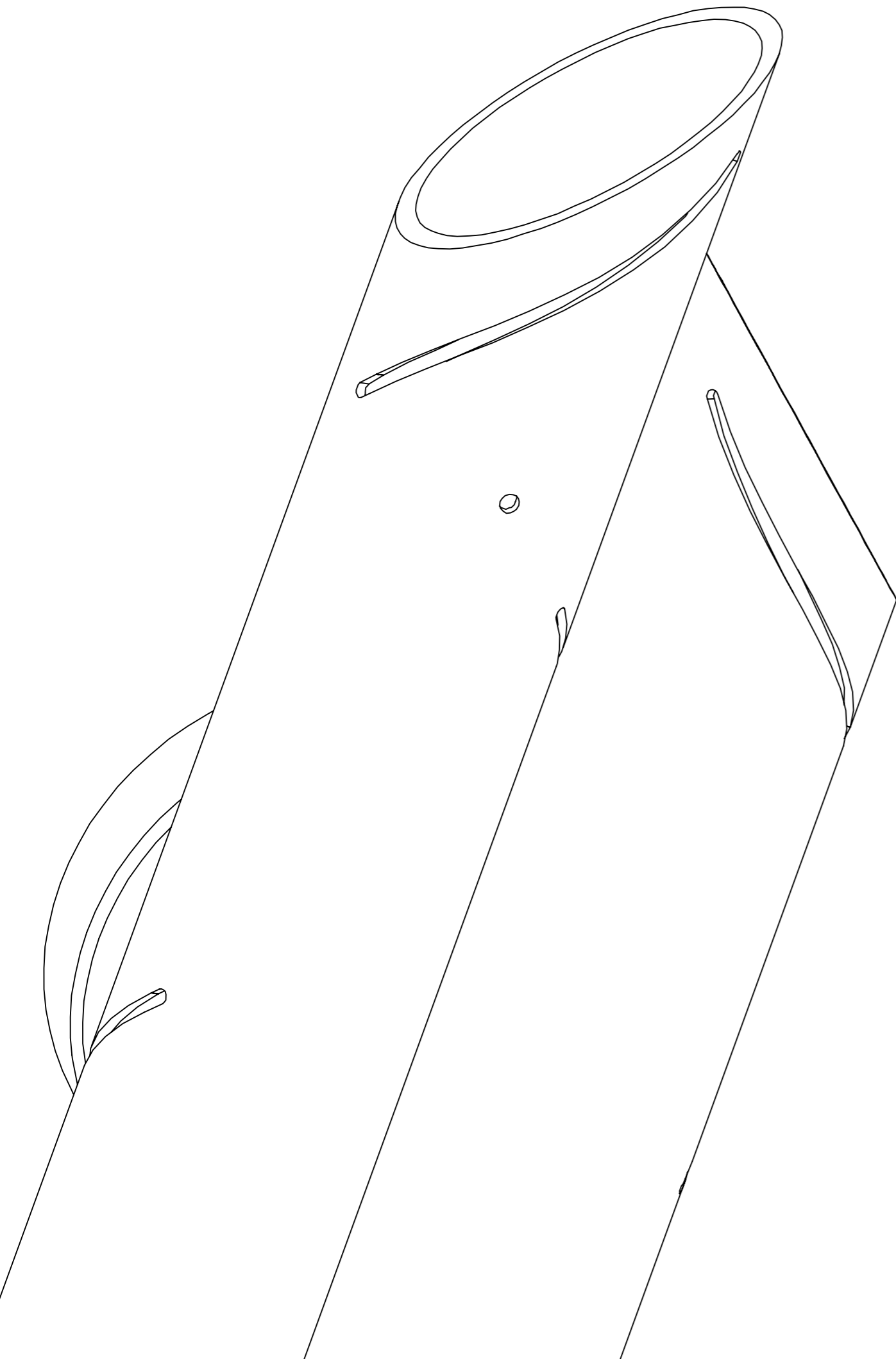
**WEIGHT**  
Single Drop: 0.5kg

**WARRANTY**  
2 year commercial / 3 year residential

## AVAILABLE FINISHES

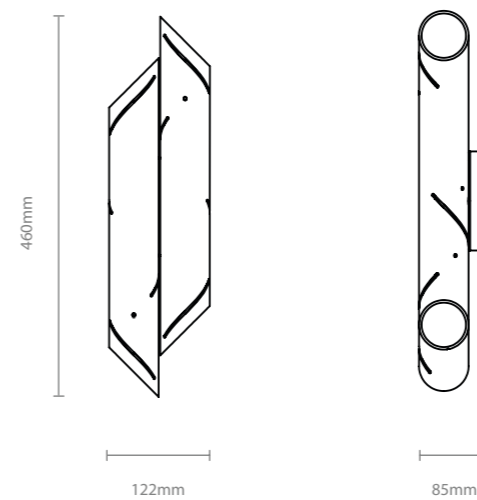






# BLACK RAIN SCONCE

WALL LIGHT



### YEAR OF DESIGN

2019

### MADE IN

Australia

### MATERIAL

Aluminium

### LIGHT SOURCE

G9, Dimmable LED  
Warm White 3000k  
110V / 230V

### IP RATING

IP20 - For indoor use only

### CERTIFICATION

ETL/UL tests and certification available upon request for North America/Canada

### DIMENSIONS

122mm x 460mm x 85mm

### WEIGHT

2.0kg

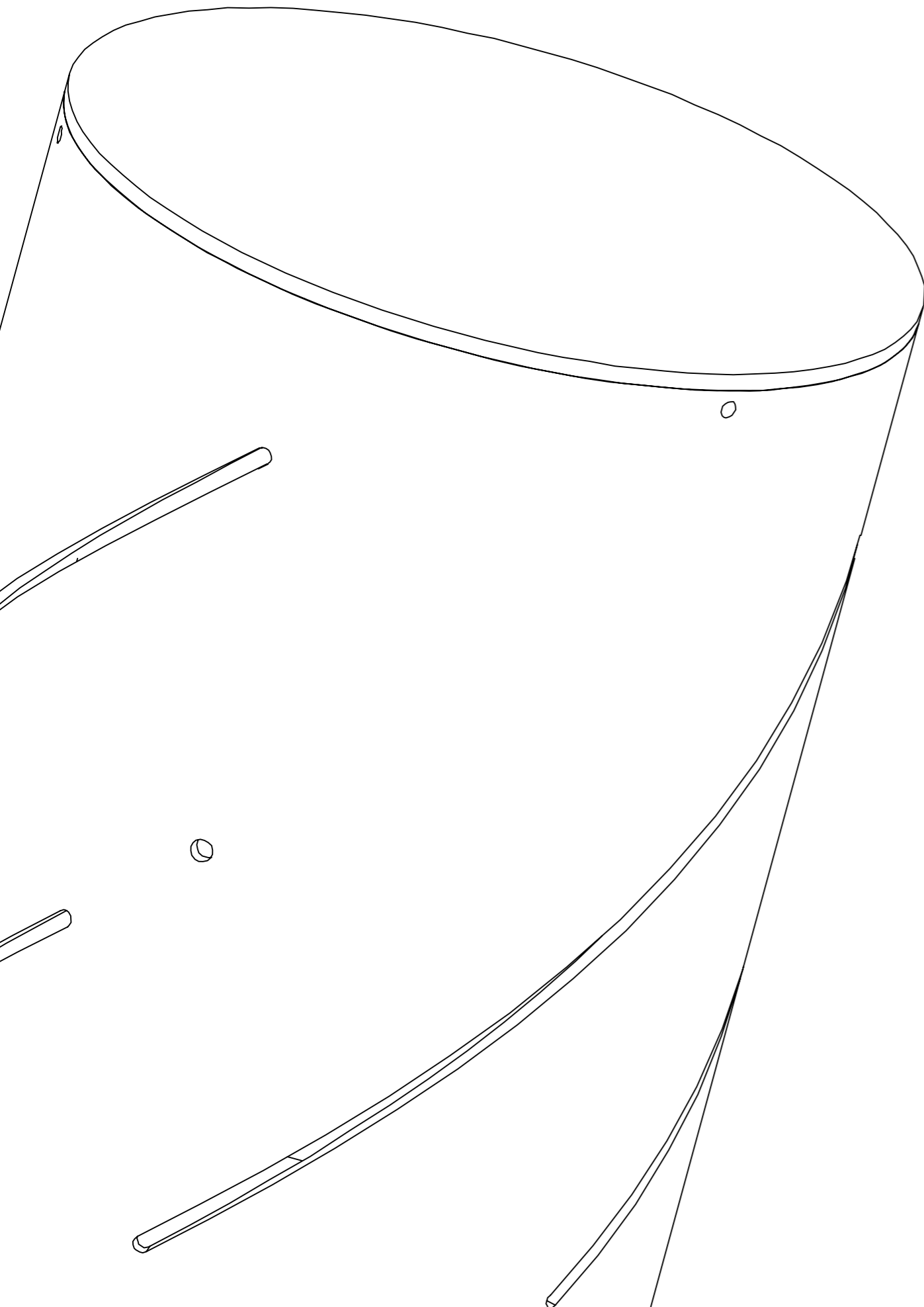
### WARRANTY

2 year commercial / 3 year residential

### AVAILABLE FINISHES

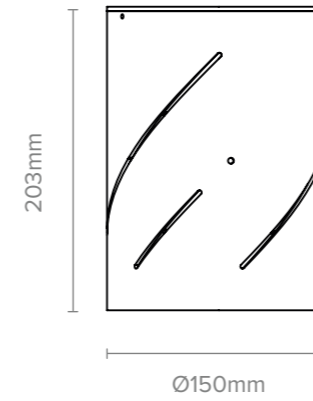


Black Ace  
Powder Coat



# SUNBURST

CEILING LIGHT



**YEAR OF DESIGN**  
2018

**MADE IN**  
Australia

**MATERIAL**  
Aluminium, Acrylic

**LIGHT SOURCE**  
GU10, Max 25W

**IP RATING**  
IP20 - For indoor use only

**CERTIFICATION**  
ETL/UL tests and certification available upon request for North America/Canada

**DIMENSIONS**  
150mm Ø x 203mm  
*Custom sizes available on enquiry*

**WEIGHT**  
1.0kg

**WARRANTY**  
2 year commercial / 3 year residential

**AVAILABLE FINISHES**



Silver  
Anodised



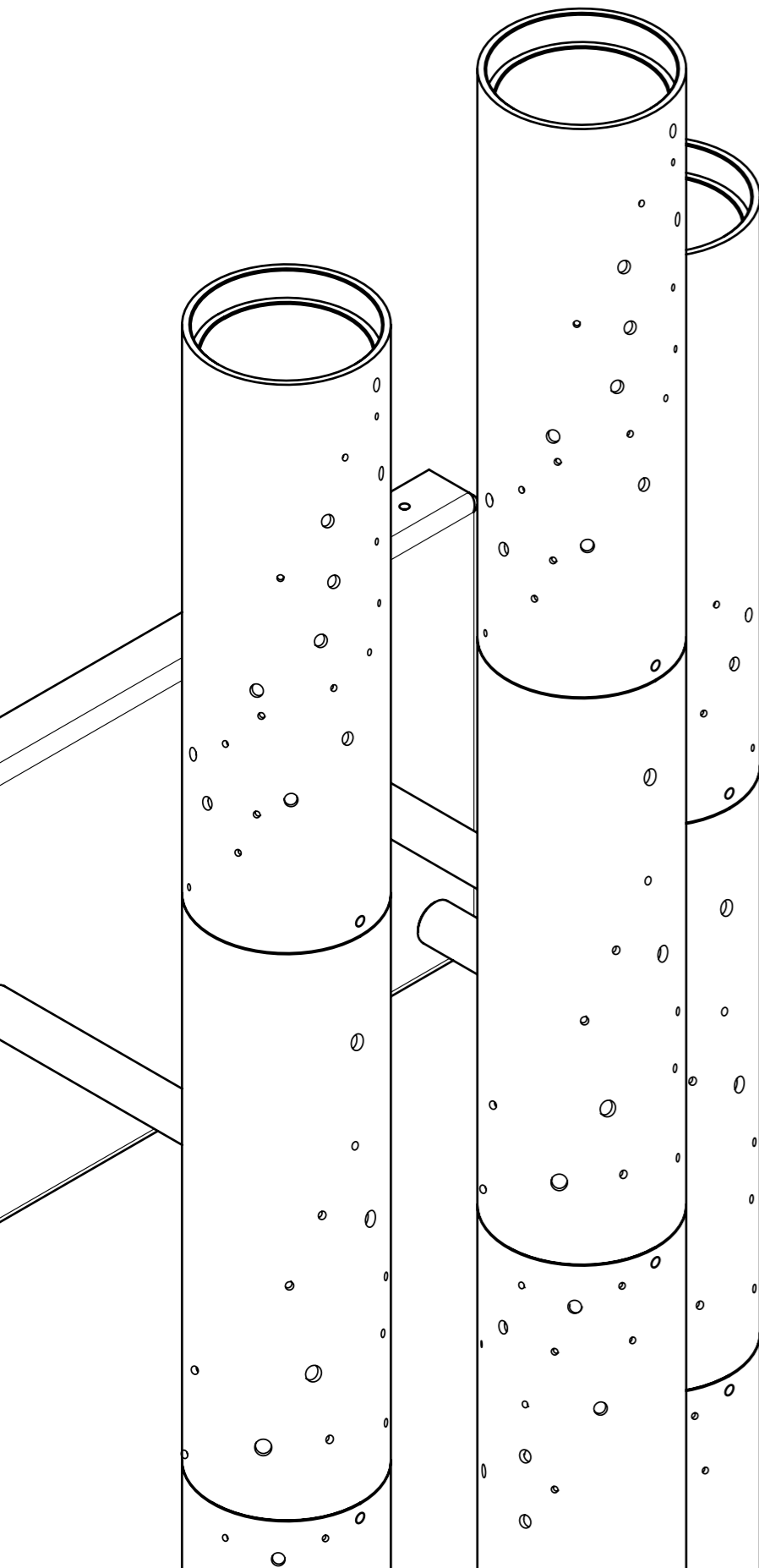
Champagne  
Anodised



Gold  
Anodised

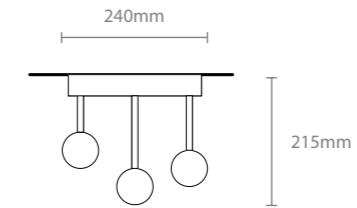
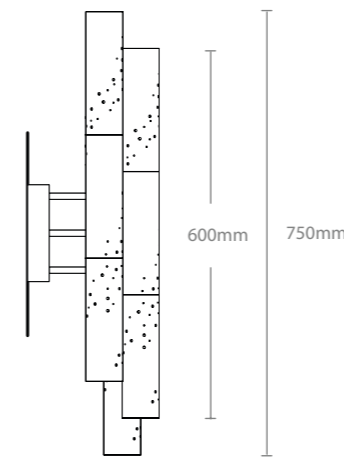


Custom  
Finish



# STARDUST

WALL LIGHT



**YEAR OF DESIGN**  
2015

**MADE IN**  
Australia

**MATERIAL**  
Aluminium, Steel, Acrylic

**LIGHT SOURCE**  
G9, Dimmable LED  
Warm White 3000k  
110V / 230V

**IP RATING**  
IP33 - Suitable for outdoor use

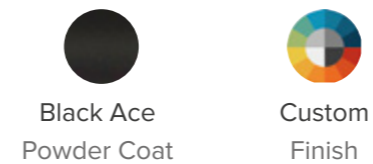
**CERTIFICATION**  
ETL/UL tests and certification available upon request for North America/Canada

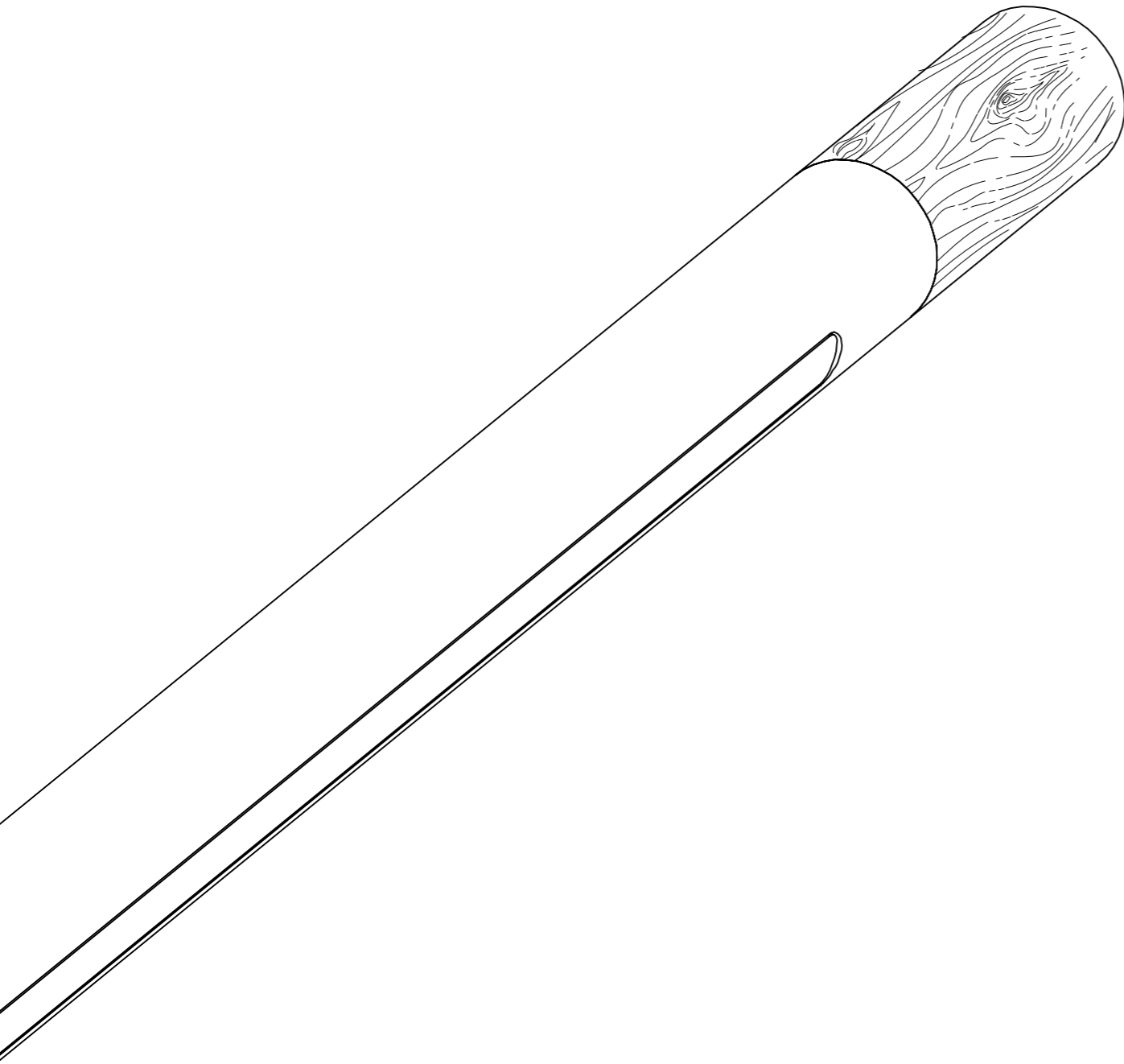
**DIMENSIONS**  
240mm x 125mm x 750mm  
Flutes: 60mm Ø x 650mm  
*Custom dimensions available on enquiry*

**WEIGHT**  
10.0kg

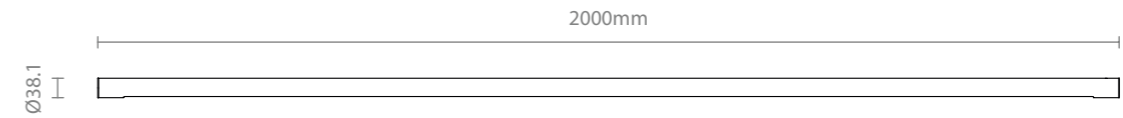
**WARRANTY**  
2 year commercial / 3 year residential

**AVAILABLE FINISHES**





**COMET**  
PENDANT



**YEAR OF DESIGN**

2016

**MADE IN**

Australia

**MATERIAL**

Raw Copper/Brass, Acrylic, Timber or Metal Ends

**LIGHT SOURCE**

24V Dimmable Strip LED  
Warm White 3000k

**POWER SUPPLY**

60W Dimmable LED Power Supply  
100-120V / 220-240V  
*Bluetooth controller on request*

**CORD**

2m Teflon Coated  
*Longer lengths available upon request*

**IP RATING**

IP20 - For indoor use only

**CERTIFICATION**

ETL/UL tests and certification available upon request for North America/Canada

**DIMENSIONS**

38.1mm Ø x \*2200mm  
\*2m Comet with 100mm timber ends  
*Custom dimensions available on enquiry*

**WEIGHT**

5.0kg

**WARRANTY**

2 year commercial / 3 year residential

**AVAILABLE FINISHES**



Copper  
Raw



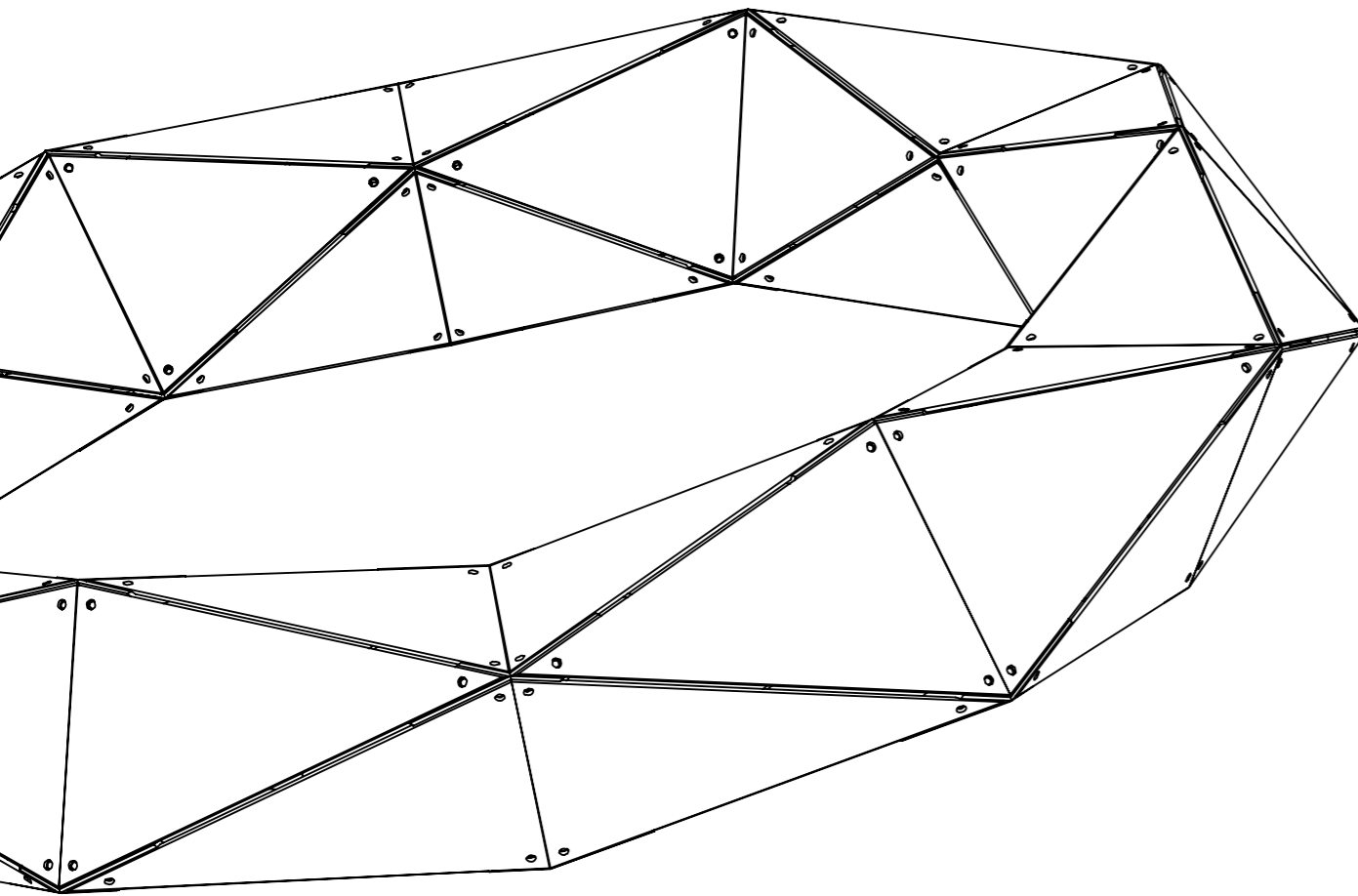
Brass  
Raw



American Oak  
Clear Coat

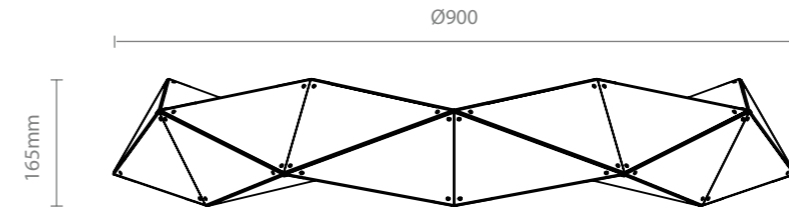


Custom  
Patinas and Timber



# SUPERNOVA

ROUND PENDANT



**YEAR OF DESIGN**  
2017

**MADE IN**  
Australia

**MATERIAL**  
Aluminium, Acrylic, Brass Screws

**LIGHT SOURCE**  
24V Dimmable Strip LED  
Warm White 3000k

**POWER SUPPLY**  
120W Dimmable LED Power Supply  
100-120V / 220-240V  
*Bluetooth controller on request*

**CORD**  
2m Teflon Coated  
*Longer lengths available upon request*

**IP RATING**  
IP20 - For indoor use only

**CERTIFICATION**  
ETL/UL tests and certification available upon request for North America/Canada

**DIMENSIONS**  
SN900 - 900mm Ø x 165mm  
*Custom sizes available on enquiry*

**WEIGHT**  
SN900 - 4.0kg

**WARRANTY**  
2 year commercial / 3 year residential

**AVAILABLE FINISHES**



Black  
Anodised



Silver  
Anodised



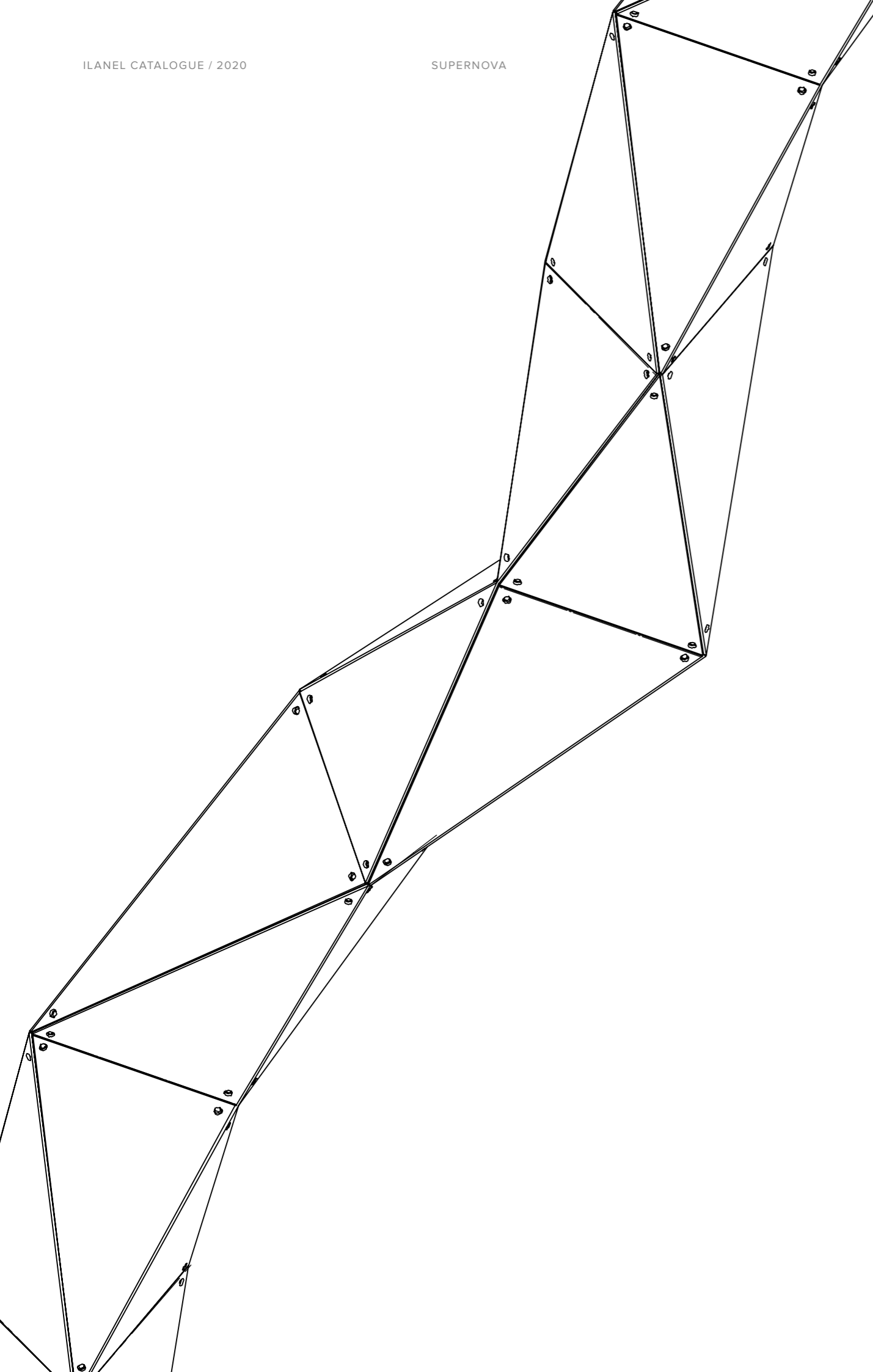
Champagne  
Anodised



Gold  
Anodised

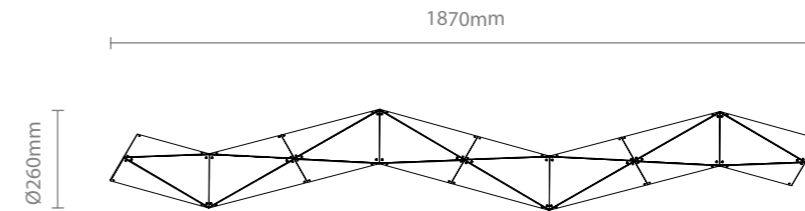


Custom  
Finish



# SUPERNOVA

LINEAR PENDANT



**YEAR OF DESIGN**  
2017

**MADE IN**  
Australia

**MATERIAL**  
Aluminium, Acrylic, Brass Screws, Stainless Steel  
Suspension (for vertical)

**LIGHT SOURCE**  
24V Dimmable Strip LED  
Warm White 3000k

**POWER SUPPLY**  
120W Dimmable LED Power Supply  
100-120V / 220-240V  
*Bluetooth controller on request*

**CORD**  
Clear/Black Cord for vertical  
2m Teflon Coated for horizontal  
*Longer lengths available upon request*

**AVAILABLE FINISHES**



Black  
Anodised



Silver  
Anodised



Champagne  
Anodised



Gold  
Anodised



Custom  
Finish

**IP RATING**  
IP20 - For indoor use only

**CERTIFICATION**  
ETL/UL tests and certification available upon  
request for North America/Canada

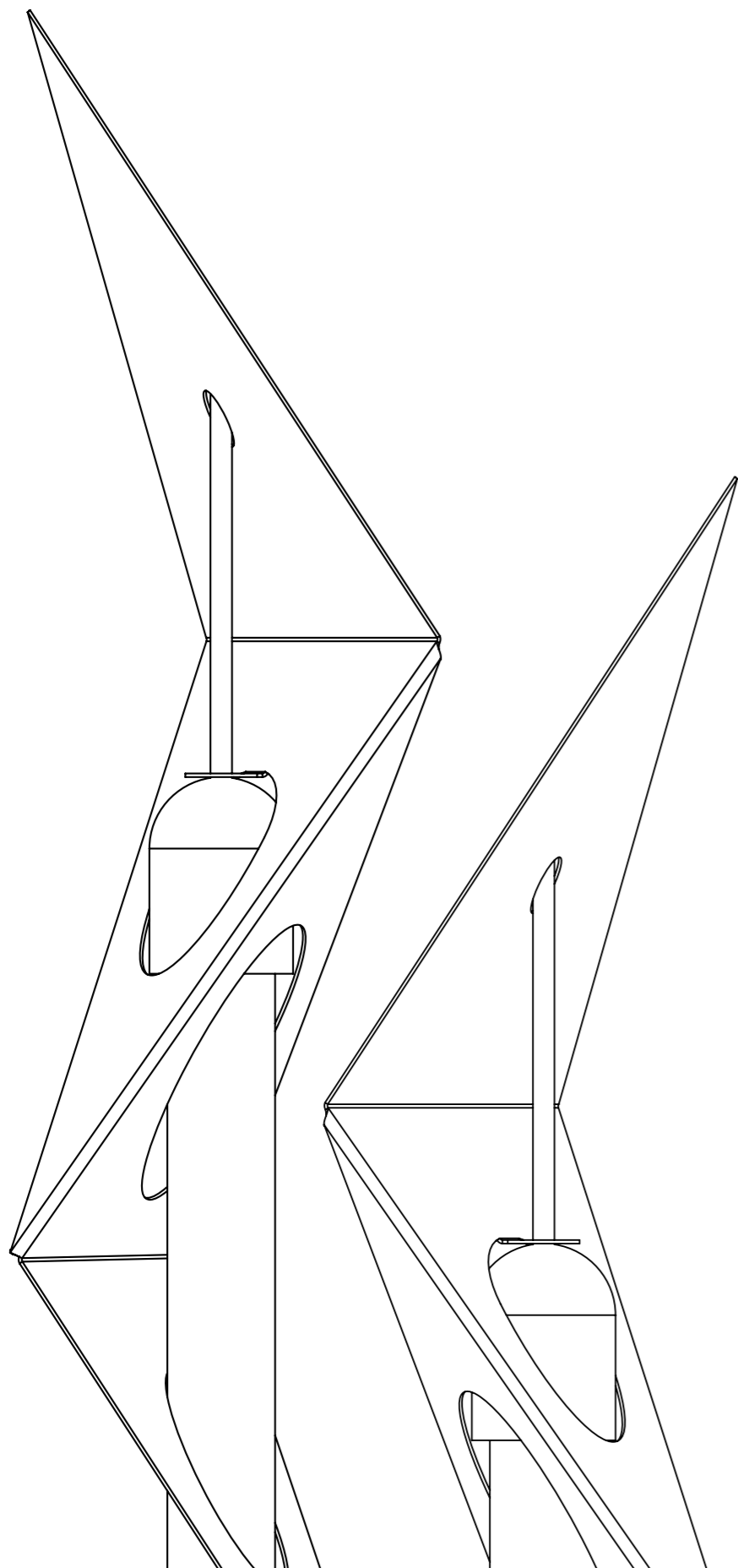
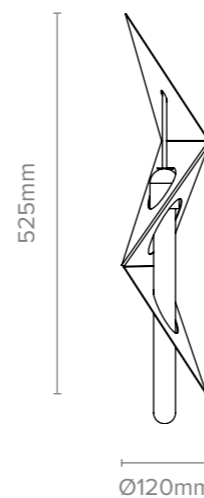
**DIMENSIONS**  
1870mm x 260mm Ø

**WEIGHT**  
5.0kg

**WARRANTY**  
2 year commercial / 3 year residential

# ZIGGY

PENDANT / CHANDELIER



**YEAR OF DESIGN**  
2017

**MADE IN**  
Australia

**MATERIAL**  
Aluminium

**LIGHT SOURCE**  
E27, Max 25W

**CORD**  
2m Black Cotton Braided  
*Longer lengths available upon request*

**IP RATING**  
IP20 - For indoor use only

**CERTIFICATION**  
ETL/UL tests and certification available upon request for North America/Canada


**DIMENSIONS**  
120mm Ø x 525mm


**WEIGHT**  
0.5kg

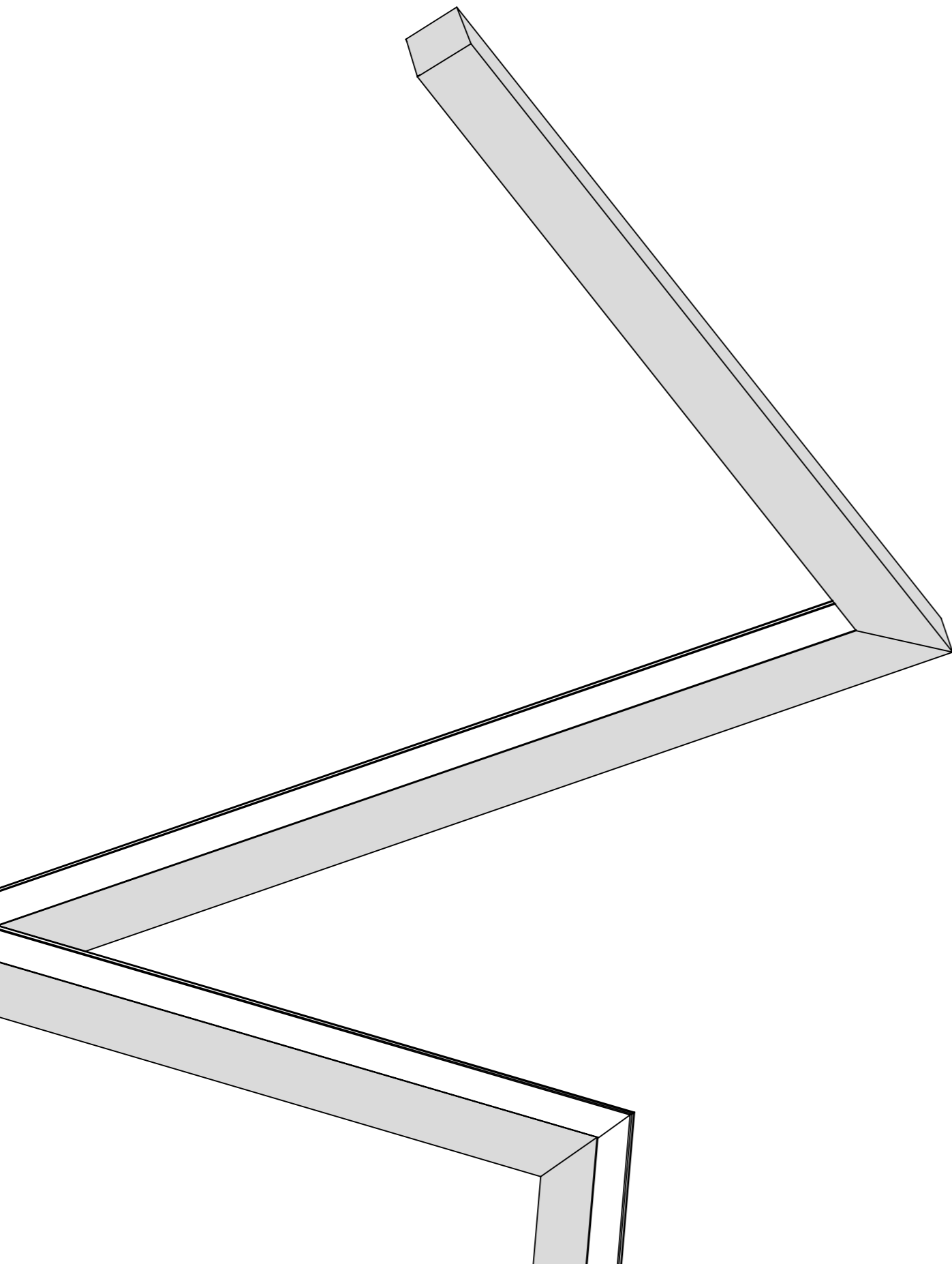
**WARRANTY**  
2 year commercial / 3 year residential

**AVAILABLE FINISHES**

  
Satin Black  
Powder Coat

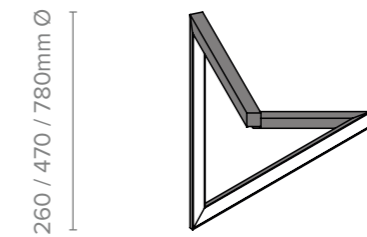
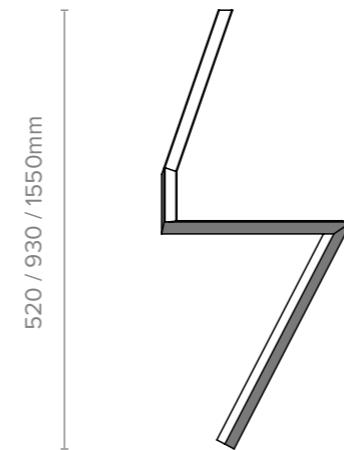
  
Matte Black  
Powder Coat

  
Custom  
Finish



# FLASH

PENDANT



**YEAR OF DESIGN**  
2017

**MADE IN**  
Australia

**MATERIAL**  
Aluminium, Acrylic, Stainless Steel Suspension

**LIGHT SOURCE**  
24V Dimmable Strip LED  
Warm White 3000k

**POWER SUPPLY**  
120W Dimmable LED Power Supply  
100-120V / 220-240V  
*Bluetooth controller on request*

**CORD**  
2m Clear/Black Cord  
*Longer lengths available upon request*

**AVAILABLE FINISHES**



Black Ace  
Powder Coat

**IP RATING**  
IP20 - For indoor use only

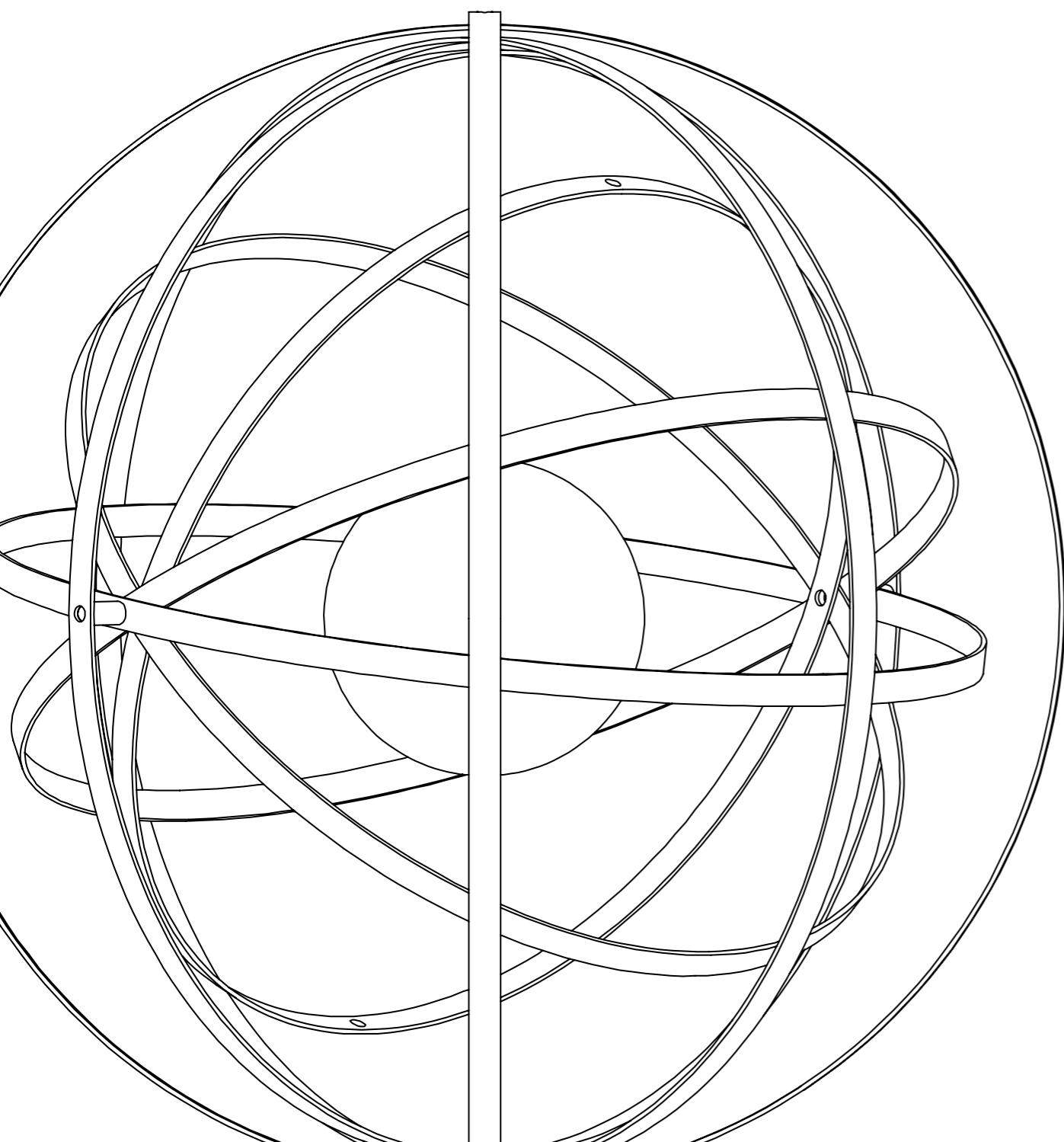
**CERTIFICATION**  
ETL/UL tests and certification available upon request for North America/Canada

**DIMENSIONS**  
S - 260mm Ø x 520mm  
M - 470mm Ø x 930mm  
L - 780mm Ø x 1550mm

**WEIGHT**  
3.0kg / 4.0kg / 5.0kg

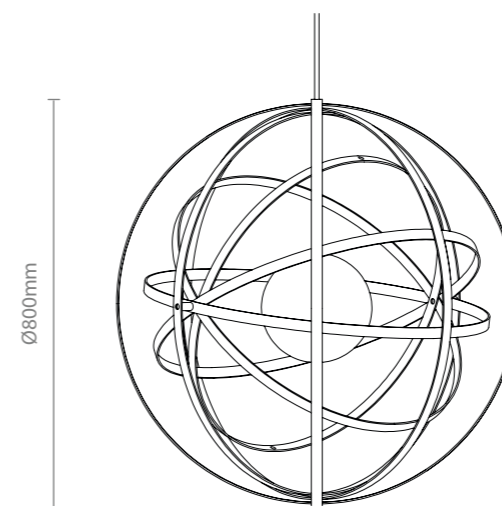
**WARRANTY**  
2 year commercial / 3 year residential





# ATLAS

PENDANT



**YEAR OF DESIGN**  
2017

**MADE IN**  
Australia



**MATERIAL**  
Steel, Hand-blown Glass (Fizzy/Cloudy)

**LIGHT SOURCE**  
G9, Dimmable LED  
Warm White 3000k  
110V / 230V

**SUSPENSION**  
Black Cotton Braided Cord / Full Length Metal Rod

**IP RATING**  
IP20 - For indoor use only

**AVAILABLE FINISHES**

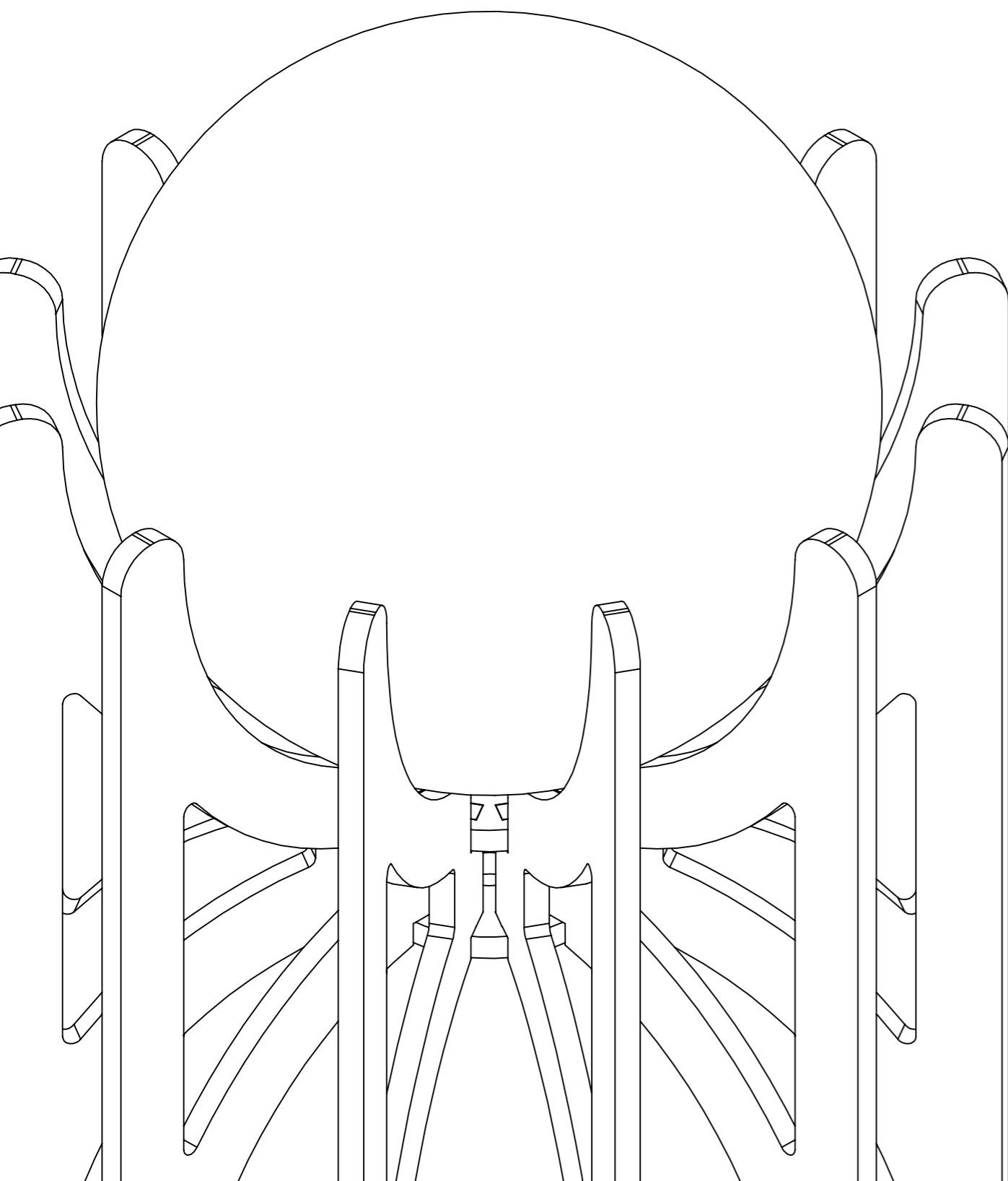
-   
 Satin Black  
Powder Coat
-   
 Matte Black  
Powder Coat

**CERTIFICATION**  
ETL/UL tests and certification available upon request for North America/Canada

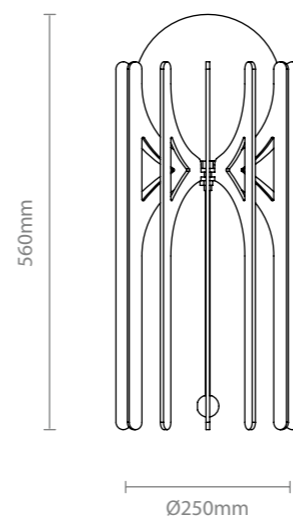
**DIMENSIONS**  
800mm Ø  
Glass Sphere: 200mm Ø

**WEIGHT**  
10.0kg

**WARRANTY**  
2 year commercial / 3 year residential



**STELLA-T**  
TABLE LAMP



**YEAR OF DESIGN**  
2017

**MADE IN**  
Australia

**MATERIAL**  
Aluminium, Hand-blown Glass (Fizzy/Cloudy),  
Brass Weighted Ball

**LIGHT SOURCE**  
G9, Dimmable LED  
Warm White 3000k  
110V / 230V

**CORD**  
2m Black Cotton Braided with in-line switch  
and AS/NZS Standard Plug  
*Other country standard plugs on request*

**IP RATING**  
IP20 - For indoor use only

**AVAILABLE FINISHES**



Black  
Anodised



Silver  
Anodised



Champagne  
Anodised



Gold  
Anodised

**CERTIFICATION**

ETL/UL tests and certification available upon request for North America/Canada

**DIMENSIONS**

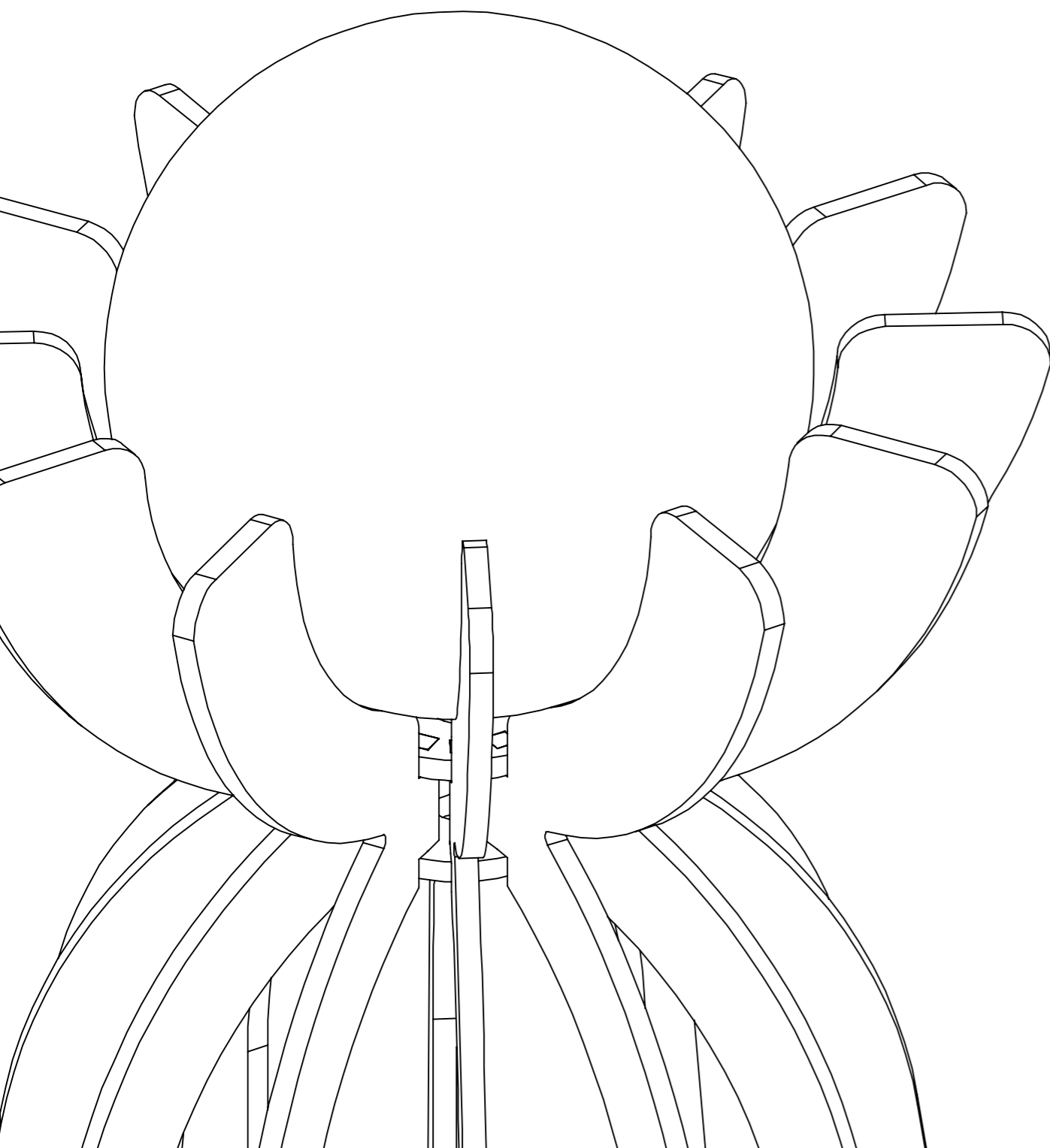
250mm Ø x 560mm  
Glass Sphere: 200mm Ø  
*Custom dimensions available on enquiry*

**WEIGHT**

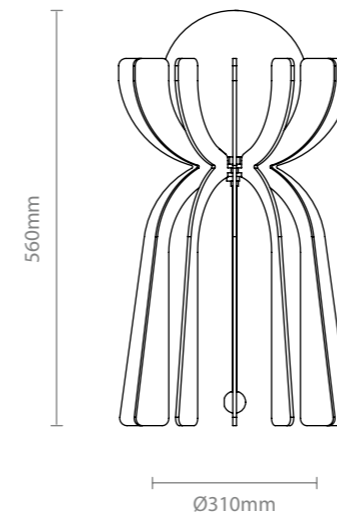
5.0kg

**WARRANTY**

2 year commercial / 3 year residential



**STELLA-F**  
TABLE LAMP



**YEAR OF DESIGN**  
2017

**MADE IN**  
Australia

**MATERIAL**  
Aluminium, Hand-blown Glass (Fizzy/Cloudy),  
Brass Weighted Ball

**LIGHT SOURCE**  
G9, Dimmable LED  
Warm White 3000k  
110V / 230V

**CORD**  
2m Black Cotton Braided with in-line switch  
and AS/NZS Standard Plug  
*Other country standard plugs on request*

**IP RATING**  
IP20 - For indoor use only

**AVAILABLE FINISHES**



Black  
Anodised



Silver  
Anodised



Champagne  
Anodised



Gold  
Anodised

**CERTIFICATION**

ETL/UL tests and certification available upon request for North America/Canada

**DIMENSIONS**

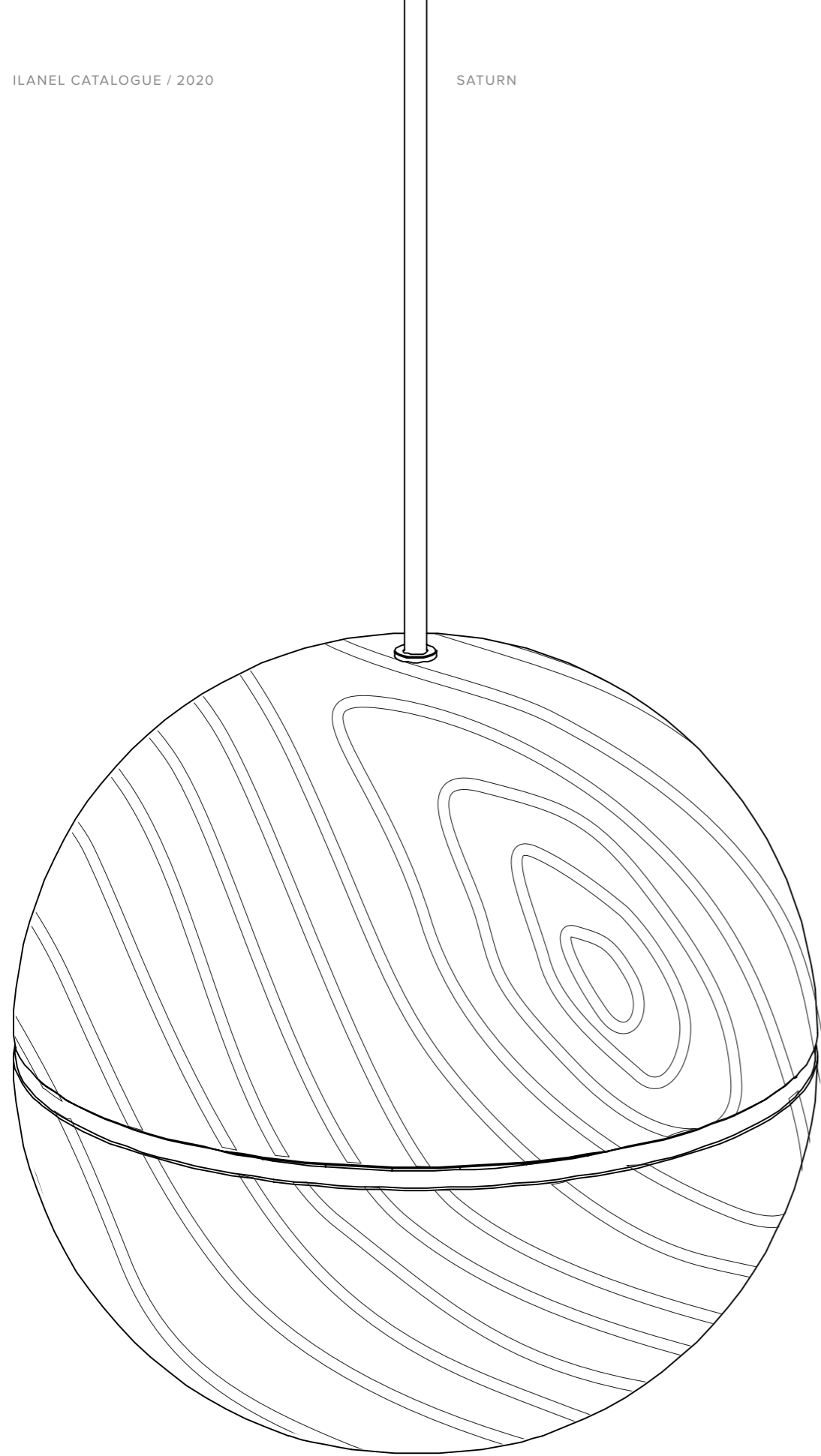
310mm Ø x 560mm  
Glass Sphere: 200mm Ø  
*Custom dimensions available on enquiry*

**WEIGHT**

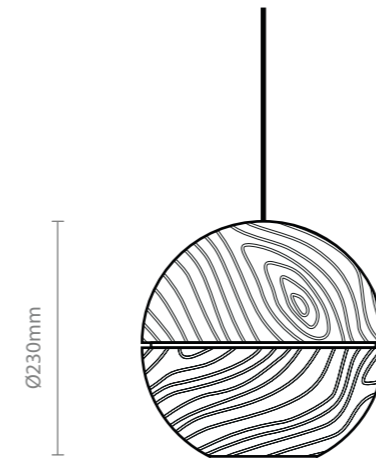
5.0kg

**WARRANTY**

2 year commercial / 3 year residential



**SATURN**  
PENDANT



**YEAR OF DESIGN**

2016

**MADE IN**

Australia

**MATERIAL**

FSC Solid Timber, Flame Polished Acrylic

**LIGHT SOURCE**

E27, Max 25W

**CORD**

2m Black/White Cotton Braided

*Longer lengths available upon request*

**IP RATING**

IP20 - For indoor use only

**CERTIFICATION**

ETL/UL tests and certification available upon request for North America/Canada

**DIMENSIONS**

230mm Ø

**WEIGHT**

2.0kg

**WARRANTY**

2 year commercial / 3 year residential

**AVAILABLE FINISHES**



Natural  
Stained



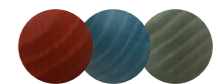
Lime White  
Stained



Walnut  
Stained



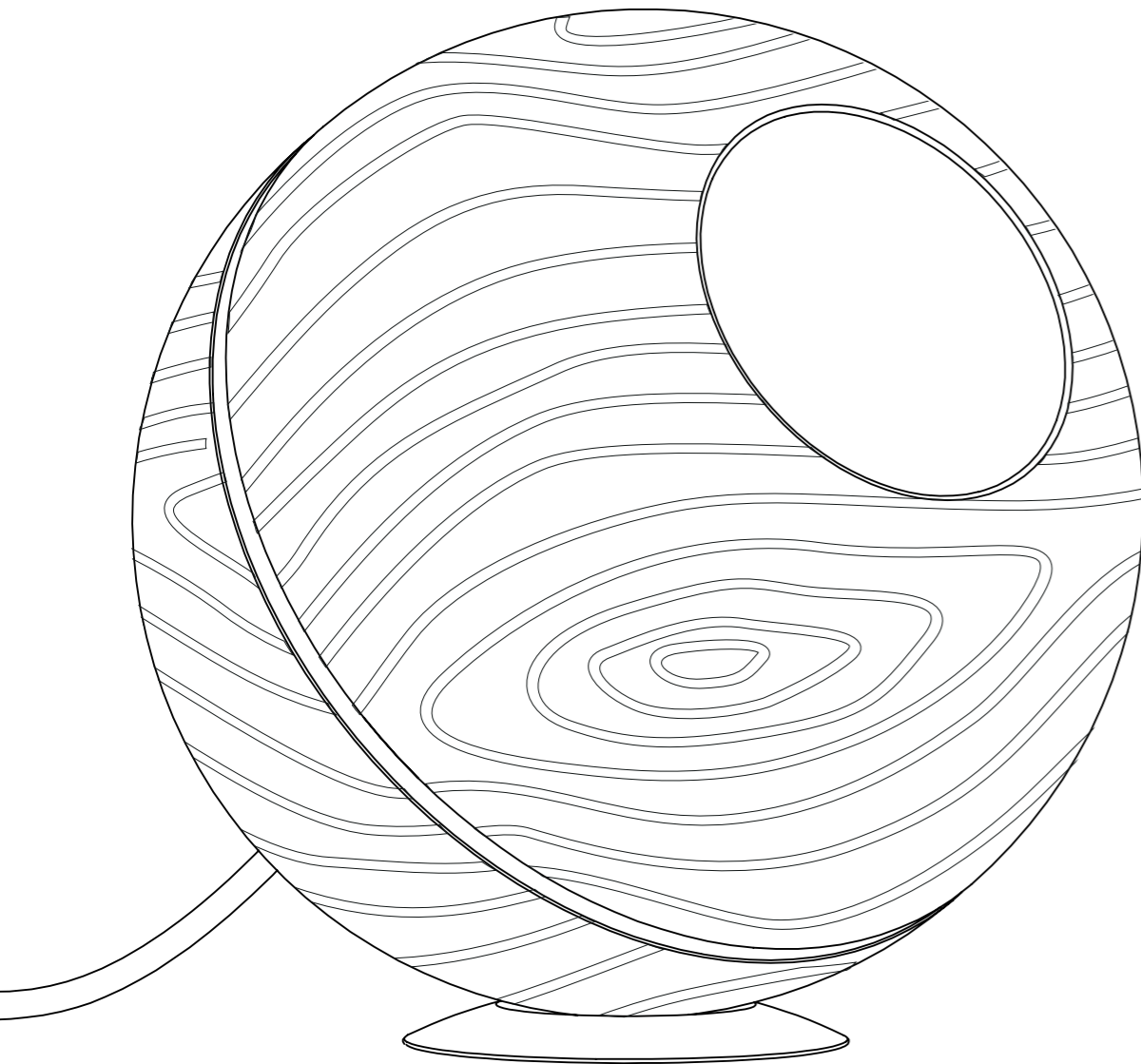
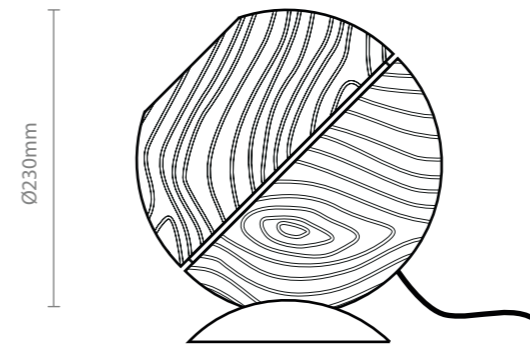
Onyx  
Stained



Terra, Aqua, Olive  
Stained

# SATURN

TABLE LAMP



### YEAR OF DESIGN

2016

### MADE IN

Australia

### MATERIAL

FSC Solid Timber, Flame Polished Acrylic

### LIGHT SOURCE

E27, Max 25W

### CORD

2m Black/White Cotton Braided with in-line switch and AS/NZS Standard Plug

*Other country standard plugs on request*

### IP RATING

IP20 - For indoor use only

### CERTIFICATION

ETL/UL tests and certification available upon request for North America/Canada

### DIMENSIONS

230mm Ø

### WEIGHT

2.0kg

### WARRANTY

2 year commercial / 3 year residential

### AVAILABLE FINISHES



Natural Stained



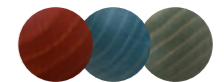
Lime White Stained



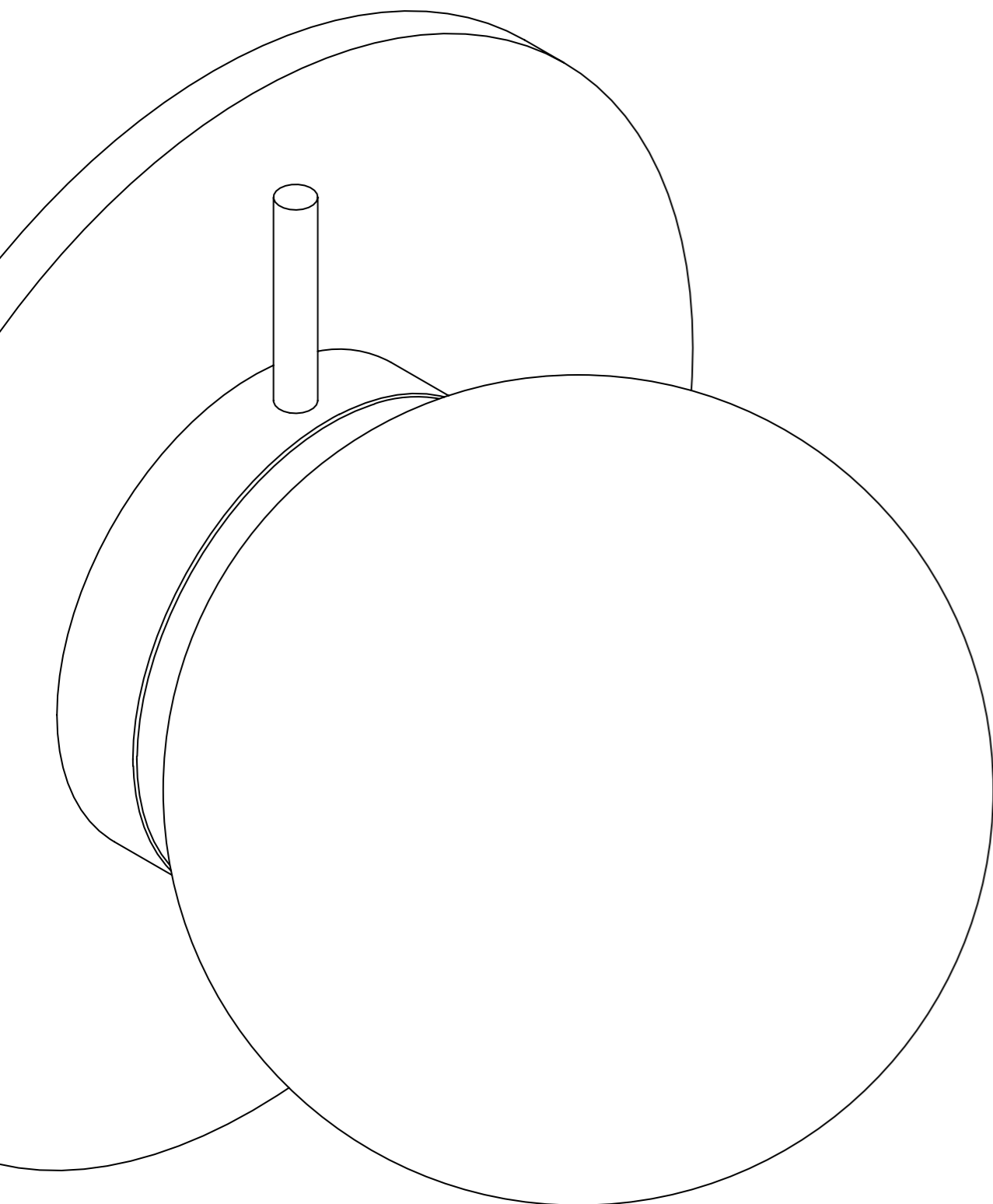
Walnut Stained



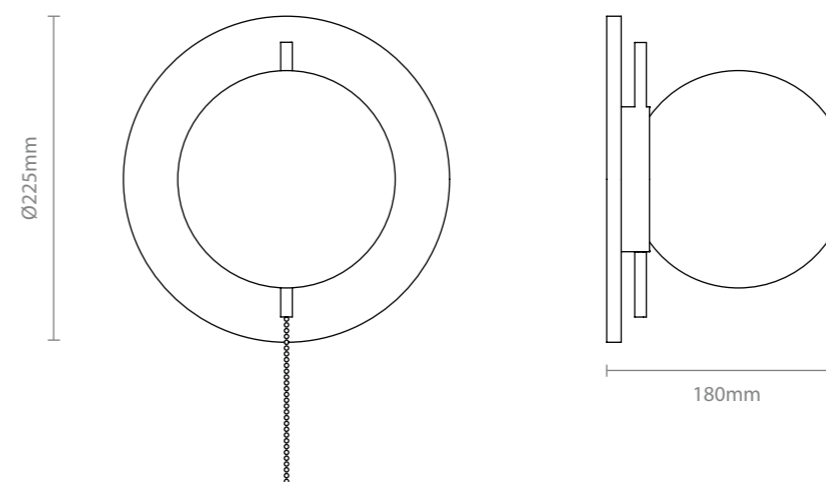
Onyx Stained



Terra, Aqua, Olive Stained



**PEARL**  
WALL / CEILING LIGHT



**YEAR OF DESIGN**  
2017

**MADE IN**  
Australia

**MATERIAL**  
Aluminium, Hand-blown Glass (Fizzy/Cloudy),  
Decorative Chains [optional]

**LIGHT SOURCE**  
G9, Dimmable LED  
Warm White 3000k  
110V / 230V

**IP RATING**  
IP20 - For indoor use only

**CERTIFICATION**  
ETL/UL tests and certification available upon  
request for North America/Canada

**DIMENSIONS**  
225mm Ø x 180mm D  
Glass Sphere 150mm Ø

**WEIGHT**  
2.0kg

**WARRANTY**  
2 year commercial / 3 year residential

**AVAILABLE FINISHES**



Black  
Anodised



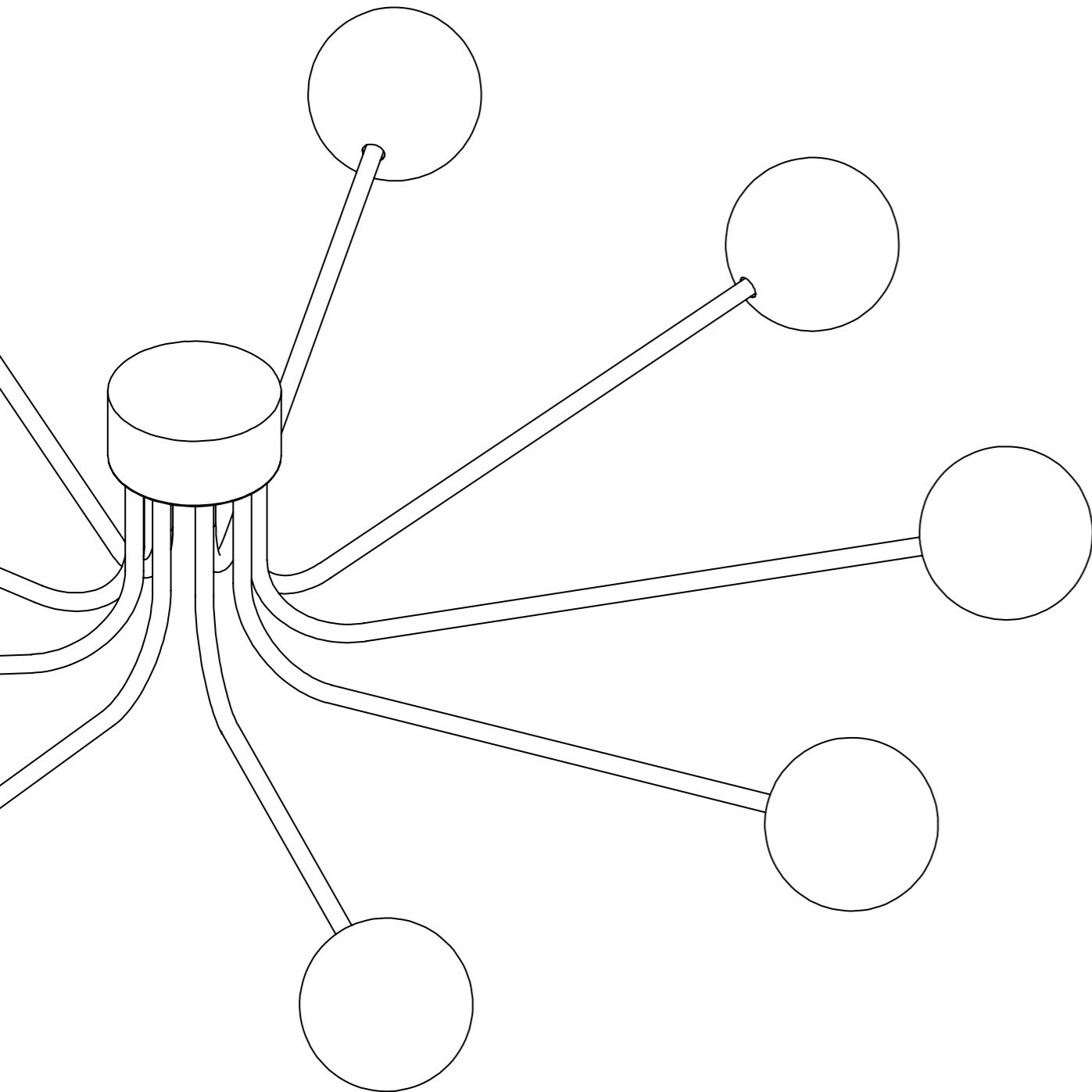
Silver  
Anodised



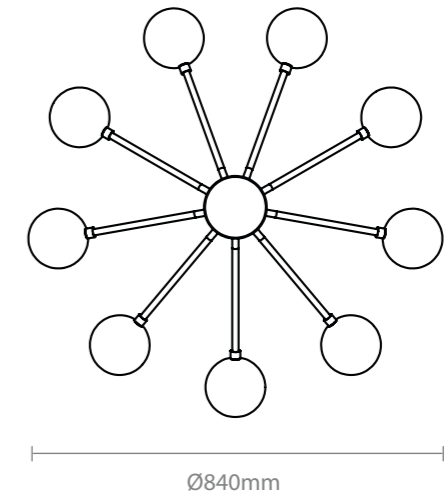
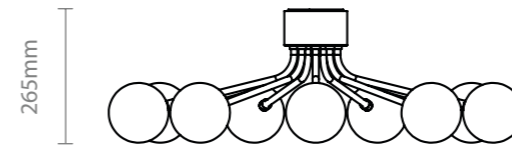
Champagne  
Anodised



Gold  
Anodised



**ORBIT**  
CHANDELIER



**YEAR OF DESIGN**  
2017

**MADE IN**  
Australia

**MATERIAL**  
Brass, Hand-blown glass (Fizzy/Cloudy)

**LIGHT SOURCE**  
G9, Dimmable LED  
Warm White 3000k  
110V / 230V

**IP RATING**  
IP20 - For indoor use only

**CERTIFICATION**  
ETL/UL tests and certification available upon request for North America/Canada

**DIMENSIONS**  
840mm Ø x 265mm  
Glass Sphere 120mm Ø  
*Custom dimensions available on enquiry*

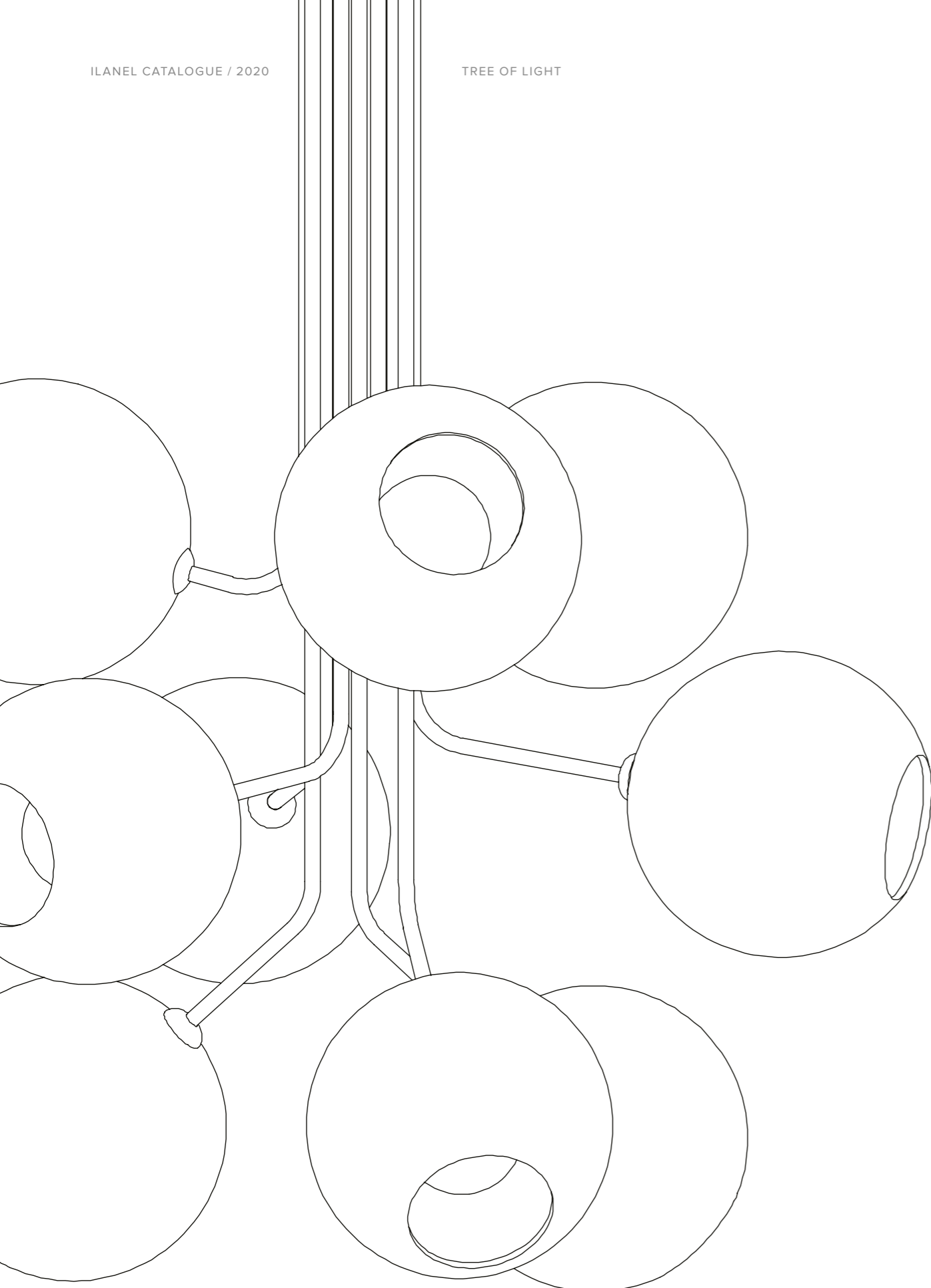
**WEIGHT**  
10.0kg

**WARRANTY**  
2 year commercial / 3 year residential

**AVAILABLE FINISHES**

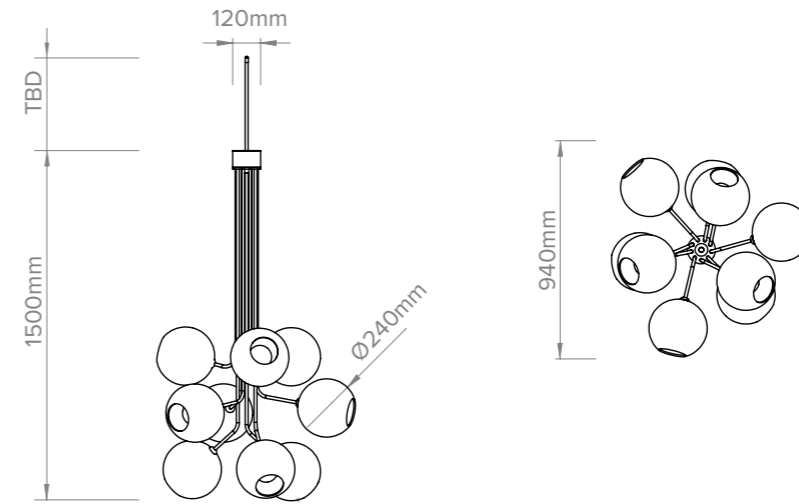


Brass  
Raw



# TREE OF LIGHT

## CHANDELIER



**YEAR OF DESIGN**

2016

**MADE IN**

Australia

**MATERIAL**

Brass, Steel, Aluminium, Hand-blown Glass

**LIGHT SOURCE**

E27, Max 60W

**SUSPENSION**

Rod / Chain / Ceiling Mounted  
Clear/Black Cord with Chain Suspension

**IP RATING**

IP20 - For indoor use only

**CERTIFICATION**

ETL/UL tests and certification available upon request for North America/Canada

**DIMENSIONS**

940mm Ø x 1900mm H  
Glass Sphere: 240mm Ø  
*Custom dimensions available on enquiry*

**WEIGHT**

40.0kg

**WARRANTY**

2 year commercial / 3 year residential

**AVAILABLE FINISHES**

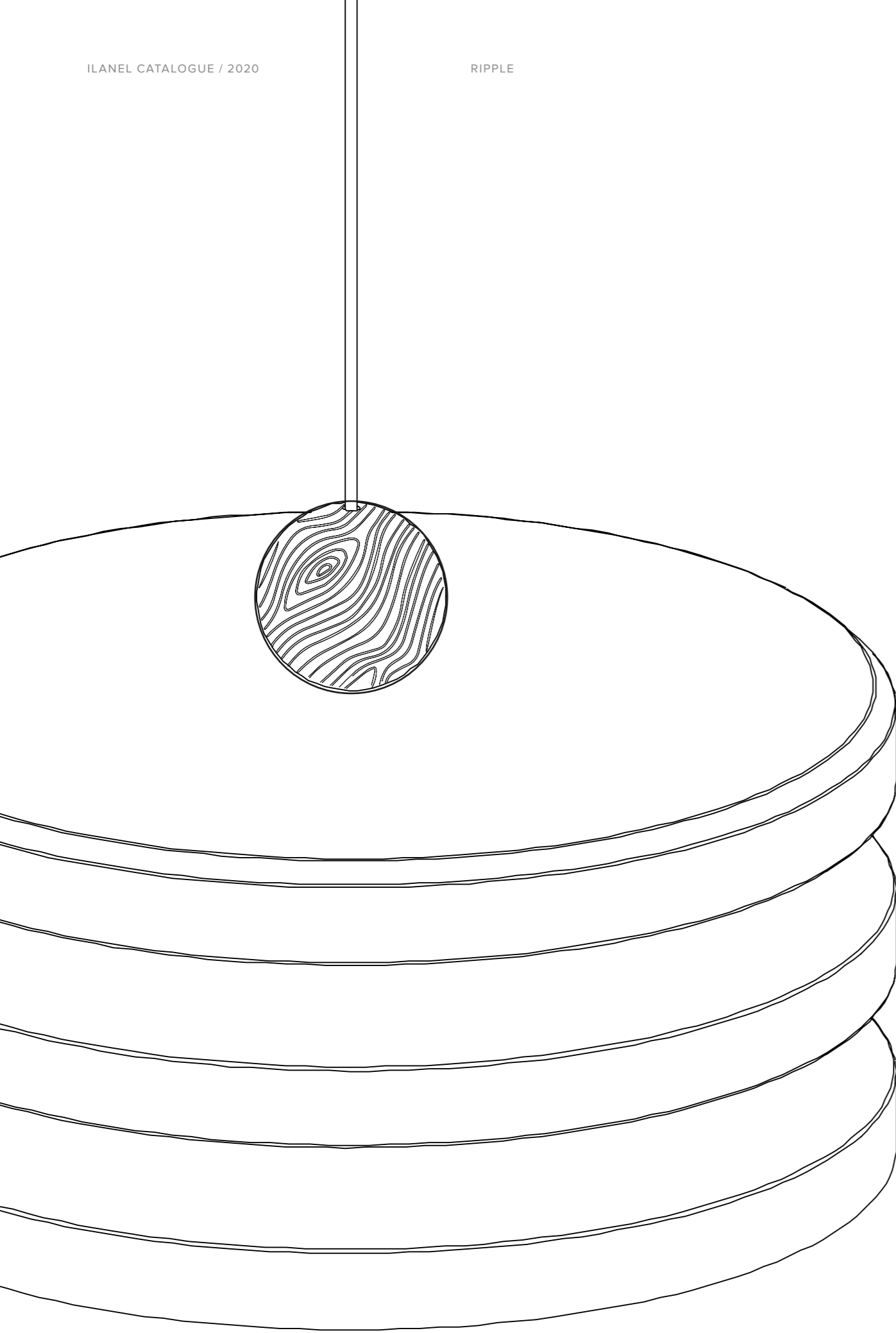


Brass  
Raw

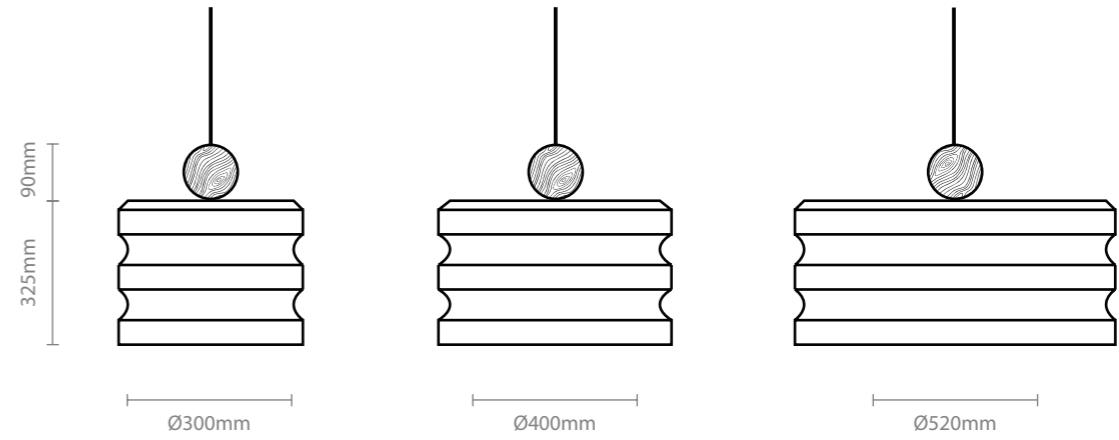


Custom  
Powder Coat and  
Glass Colours





**RIPPLE**  
PENDANT



**YEAR OF DESIGN**

2016

**MADE IN**

Australia

**MATERIAL**

Spun-Aluminium, FSC Solid Timber

**LIGHT SOURCE**

E27, Max 25W

**CORD**

2m Black Cotton Braided

*Longer lengths available upon request*

**IP RATING**

IP20 - For indoor use only

**CERTIFICATION**

ETL/UL tests and certification available upon request for North America/Canada

**DIMENSIONS**

S - 300mm Ø x 325mm H

M - 400mmØ x 325mm H

L - 520mm Ø x 325mm H

**WEIGHT**

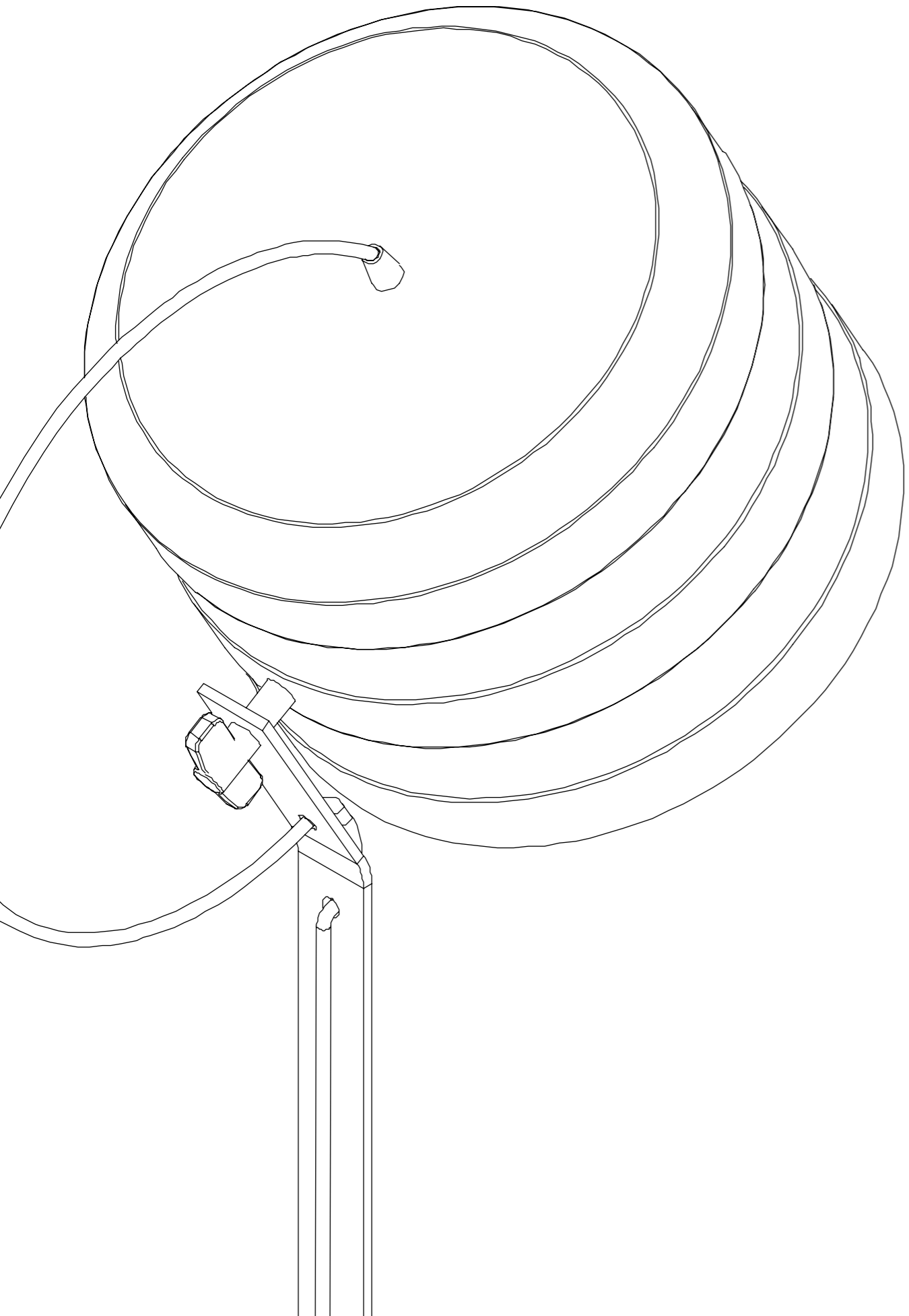
1.5kg / 2.2kg/ 3.0kg

**WARRANTY**

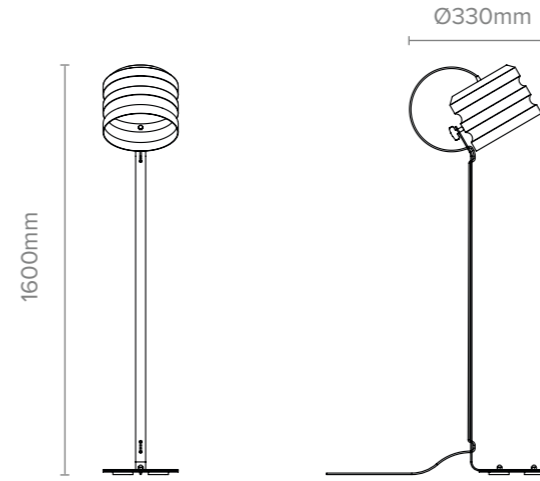
2 year commercial / 3 year residential

**AVAILABLE FINISHES**





**RIPPLE**  
FLOOR LAMP



**YEAR OF DESIGN**  
2016

**MADE IN**  
Australia

**MATERIAL**  
Aluminium, Steel

**LIGHT SOURCE**  
E27, Max 25W

**CORD**  
2m Black Cotton Braided with in-line foot switch  
and AS/NZS Standard Plug  
*Other country standard plugs on request*

**IP RATING**  
IP20 - For indoor use only

**CERTIFICATION**  
ETL/UL tests and certification available upon  
request for North America/Canada

**DIMENSIONS**  
330mm Ø x 1600mm

**WEIGHT**  
10.5kg

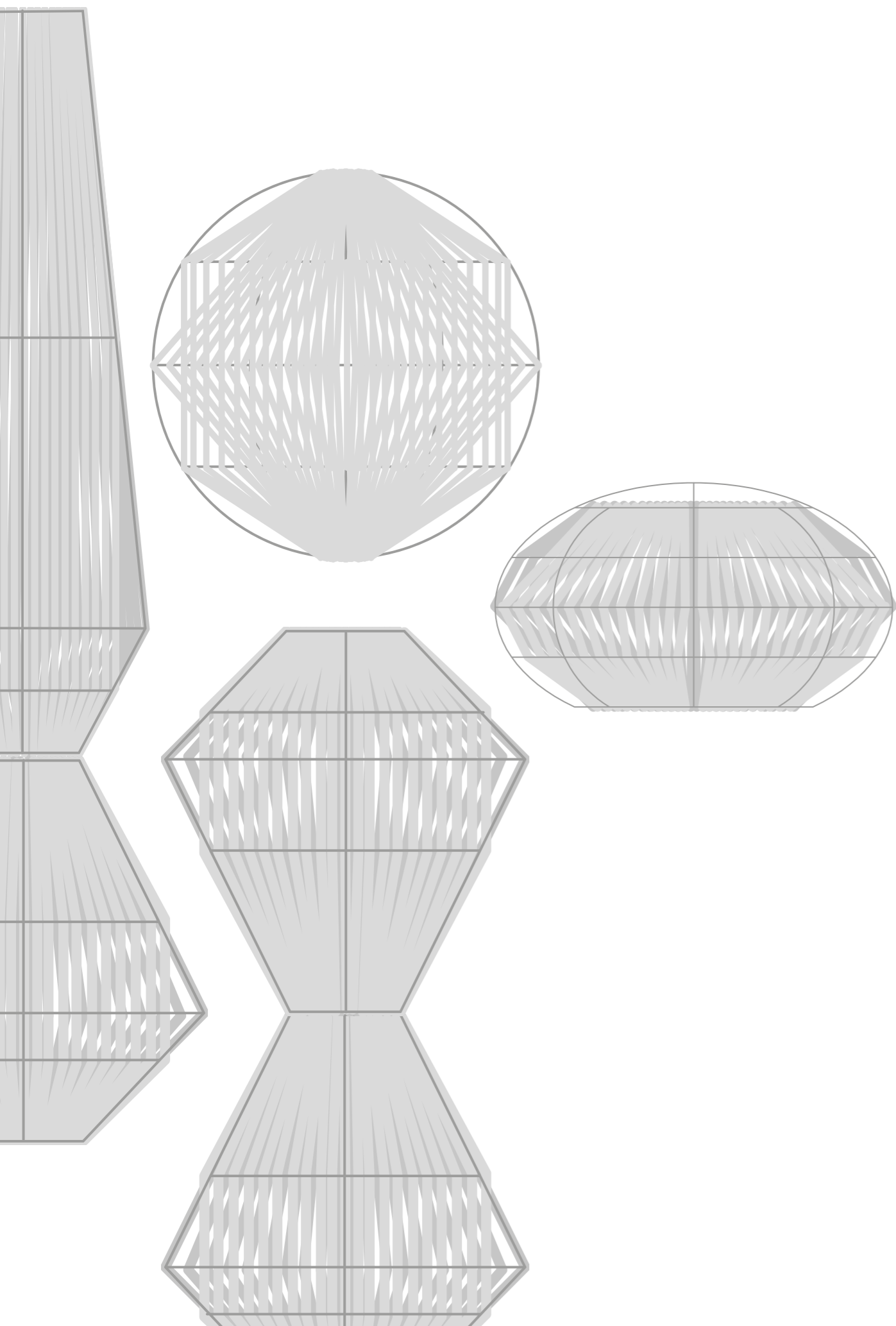
**WARRANTY**  
2 year commercial / 3 year residential

**AVAILABLE FINISHES**

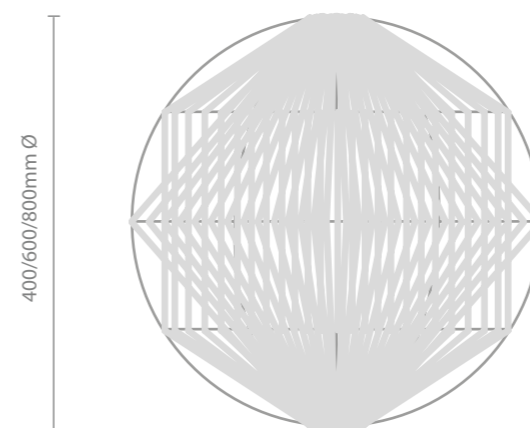
  
Shimmering Champagne  
Powder Coat

  
Golden Touch  
Powder Coat

  
Medium Bronze  
Powder Coat



**KAHDU 400/600/800**  
ROUND PENDANT



**YEAR OF DESIGN**  
2010

**MADE IN**  
Australia

**MATERIAL**  
Fabric, Steel Wire-frame

**LIGHT SOURCE**  
E27, Max 25W

**CORD**  
2m Black/White Cotton Braided  
*Longer lengths and colours are available upon request*

**IP RATING**  
IP20 - For indoor use only

**AVAILABLE FINISHES**



Various  
Fabric/Powder Coat

**CERTIFICATION**  
ETL/UL tests and certification available upon request for North America/Canada

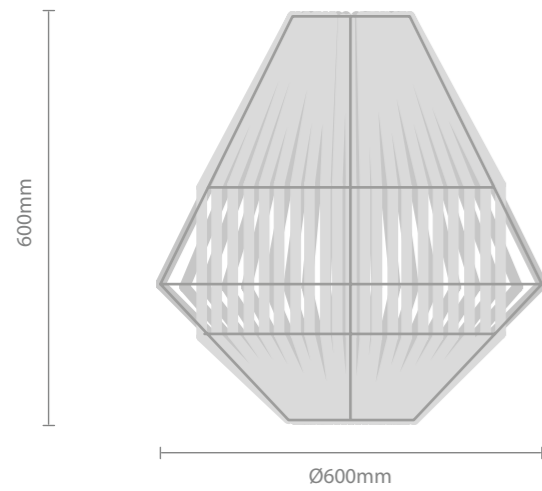
**DIMENSIONS**  
400 / 600 / 800mm Ø  
*Custom dimensions available on enquiry*

**WEIGHT**  
2.0kg / 4.0kg / 6.0kg

**WARRANTY**  
2 year commercial / 3 year residential

## KAHDU 600D

DIAMOND PENDANT



### YEAR OF DESIGN

2016

### MADE IN

Australia

### MATERIAL

Fabric, Steel Wire-frame

### LIGHT SOURCE

E27, Max 25W

### CORD

2m Black/White Cotton Braided

*Longer lengths and colours are available upon request*

### IP RATING

IP20 - For indoor use only

### AVAILABLE FINISHES



Various

Fabric/Powder Coat

### CERTIFICATION

ETL/UL tests and certification available upon request for North America/Canada

### DIMENSIONS

600mm Ø x 600mm

*Custom dimensions available on enquiry*

### WEIGHT

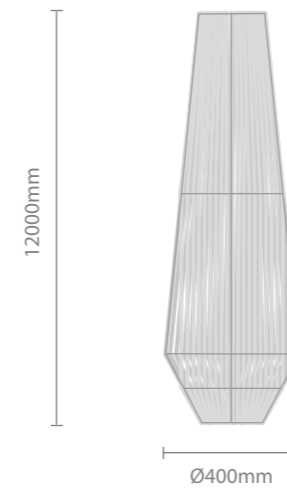
4.0kg

### WARRANTY

2 year commercial / 3 year residential

## KAHDU 412D

CHIMNEY PENDANT



### YEAR OF DESIGN

2016

### MADE IN

Australia

### MATERIAL

Fabric, Steel Wire-frame

### LIGHT SOURCE

E27, Max 25W

### CORD

2m Black/White Cotton Braided

*Longer lengths and colours are available upon request*

### IP RATING

IP20 - For indoor use only

### AVAILABLE FINISHES



Various

Fabric/Powder Coat

### CERTIFICATION

ETL/UL tests and certification available upon request for North America/Canada

### DIMENSIONS

400mm Ø x 1200mm

*Custom dimensions available on enquiry*

### WEIGHT

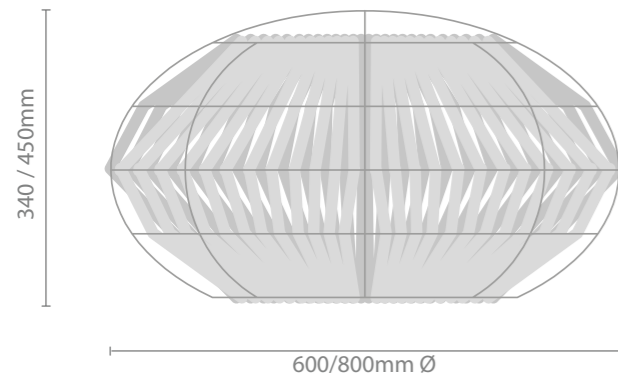
4.0kg

### WARRANTY

2 year commercial / 3 year residential

## KAHDU 634/845

DOUGHNUT PENDANT



### YEAR OF DESIGN

2010

### MADE IN

Australia

### MATERIAL

Fabric, Steel Wire-frame

### LIGHT SOURCE

E27, Max 25W

### CORD

2m Black/White Cotton Braided

*Longer lengths and colours are available upon request*

### IP RATING

IP20 - For indoor use only

### AVAILABLE FINISHES



Various

Fabric/Powder Coat

### CERTIFICATION

ETL/UL tests and certification available upon request for North America/Canada

### DIMENSIONS

634 - 600mm Ø x 340mm

845 - 800mm Ø x 450mm

*Custom dimensions available on enquiry*

### WEIGHT

4.0kg / 6.0kg

### WARRANTY

2 year commercial / 3 year residential

## KAHDU 365/413

CIGAR PENDANT



### YEAR OF DESIGN

2010

### MADE IN

Australia

### MATERIAL

Fabric, Steel Wire-frame

### LIGHT SOURCE

E27, Max 25W

### CORD

2m Black/White Cotton Braided

*Longer lengths and colours are available upon request*

### IP RATING

IP20 - For indoor use only

### AVAILABLE FINISHES



Various

Fabric/Powder Coat

### CERTIFICATION

ETL/UL tests and certification available upon request for North America/Canada

### DIMENSIONS

365 - 300mm Ø x 650mm

413 - 400mm Ø x 1300mm

*Custom dimensions available on enquiry*

### WEIGHT

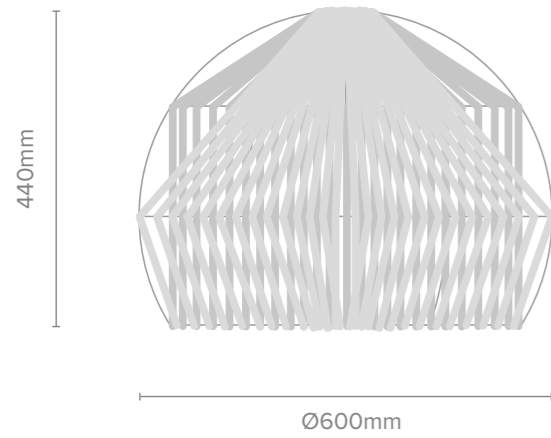
4.0kg / 6.0kg

### WARRANTY

2 year commercial / 3 year residential

# KAHDU 644

DOME PENDANT



**YEAR OF DESIGN**

2010

**MADE IN**

Australia

**MATERIAL**

Fabric, Steel Wire-frame

**LIGHT SOURCE**

E27, Max 25W

**CORD**

2m Black/White Cotton Braided

*Longer lengths and colours are available upon request*

**IP RATING**

IP20 - For indoor use only

**AVAILABLE FINISHES**



Various

Fabric/Powder Coat

**CERTIFICATION**

ETL/UL tests and certification available upon request for North America/Canada

**DIMENSIONS**

600mm Ø x 440mm

*Custom dimensions available on enquiry*

**WEIGHT**

3.0kg

**WARRANTY**

2 year commercial / 3 year residential

## Kahdu Ribbon Examples

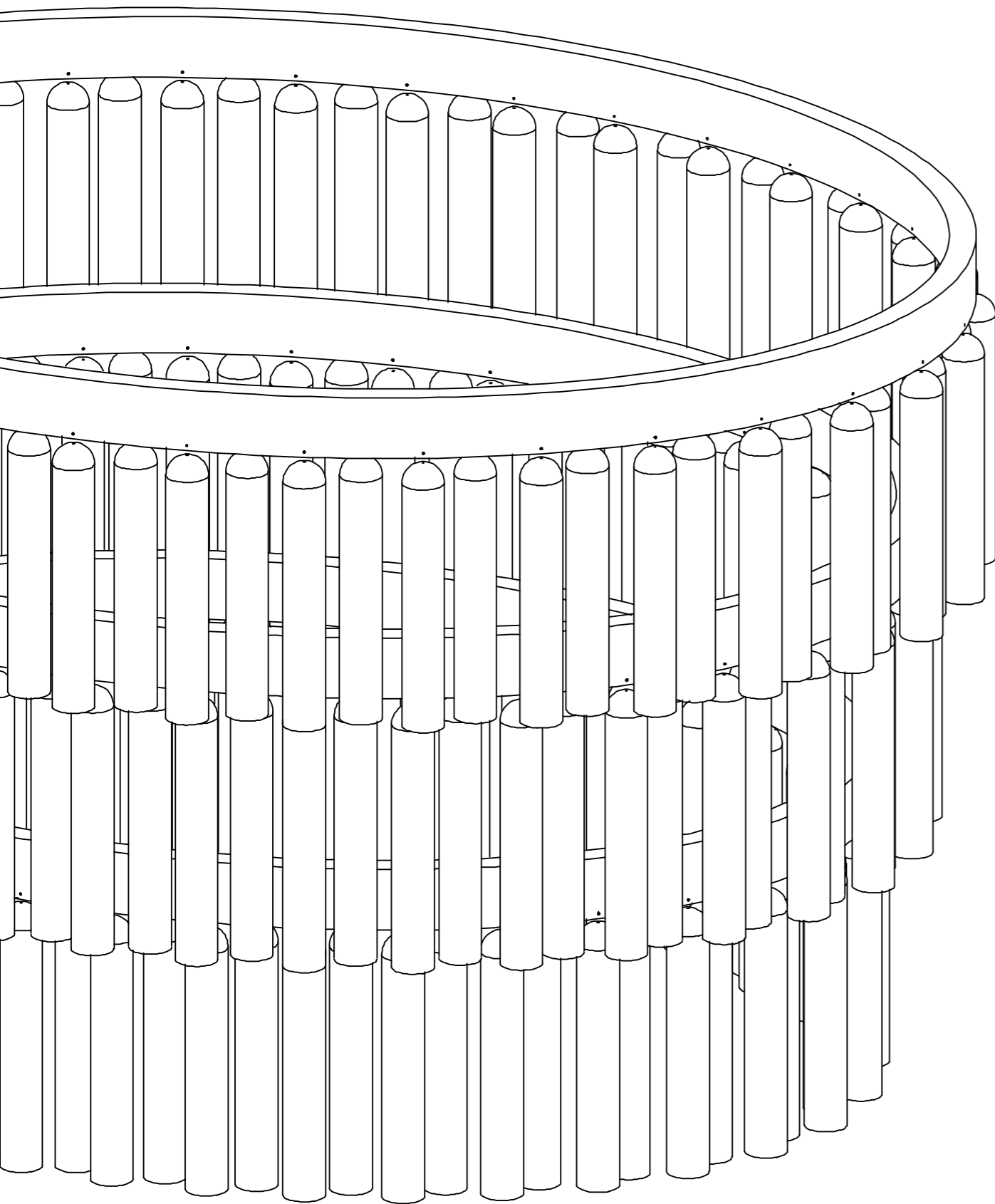
*Customisable upon enquiry*



## Kahdu Powder Coat Examples

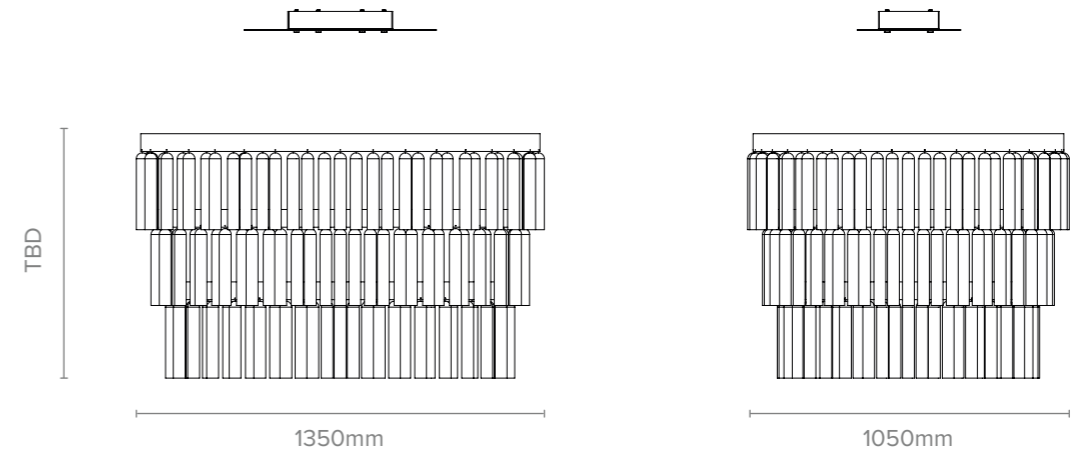
*Customisable upon enquiry*





# WISTERIA

CHANDELIER



**YEAR OF DESIGN**

2019

**MADE IN**

Australia

**MATERIAL**

Aluminium, Steel, Glass, Stainless Steel  
Suspension Wires

**LIGHT SOURCE**

24V Dimmable Strip LED  
Warm White 3000k

**POWER SUPPLY**

250W Dimmable LED Power Supply  
100-120V / 220-240V

**CORD**

Clear Cord from each ring

**IP RATING**

IP20 - For indoor use only

**CERTIFICATION**

ETL/UL tests and certification available upon request for North America/Canada

**DIMENSIONS**

1350mm x 1050mm x Height TBD  
*Custom dimensions available on enquiry*

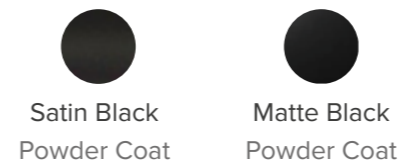
**WEIGHT**

60.0kg

**WARRANTY**

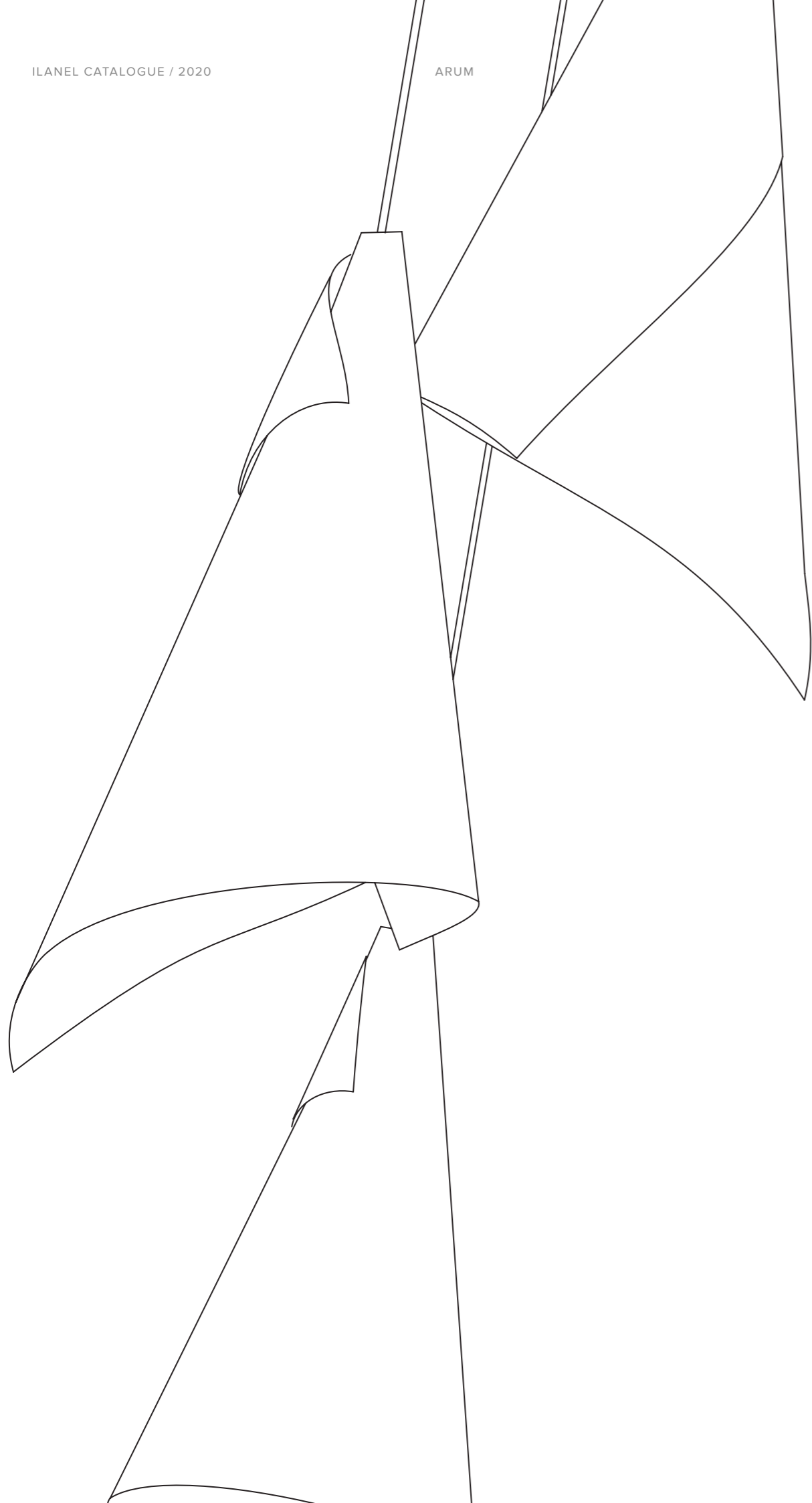
2 year commercial / 3 year residential

**AVAILABLE FINISHES**

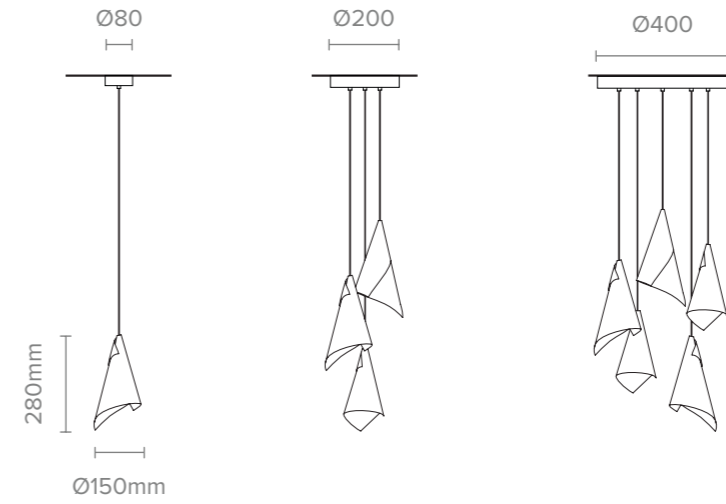


Satin Black  
Powder Coat

Matte Black  
Powder Coat



**ARUM**  
PENDANT / CHANDELIER



**YEAR OF DESIGN**  
2010

**MADE IN**  
Australia

**MATERIAL**  
Southern Ice Porcelain

**LIGHT SOURCE**  
E14, Max 25W

**CORD**  
2m White Cotton Braided/Fibreglass  
*Longer lengths available upon request*

**IP RATING**  
IP20 - For indoor use only

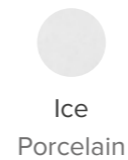
**CERTIFICATION**  
ETL/UL tests and certification available upon request for North America/Canada

**DIMENSIONS**  
**Porcelain Shade:**  
150mm Ø x 280mm H  
**Arrangements:**  
Single Bloom: 80mm Ø x 25mm Canopy  
Tri Bloom: 200mm Ø x 25mm Canopy  
Five Blooms: 400mm Ø x 25mm Canopy  
*Custom dimensions available on enquiry*

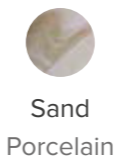
**WEIGHT**  
0.5kg / 1.5kg / 2.5kg

**WARRANTY**  
2 year commercial / 3 year residential

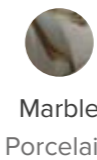
**AVAILABLE FINISHES**



Ice  
Porcelain

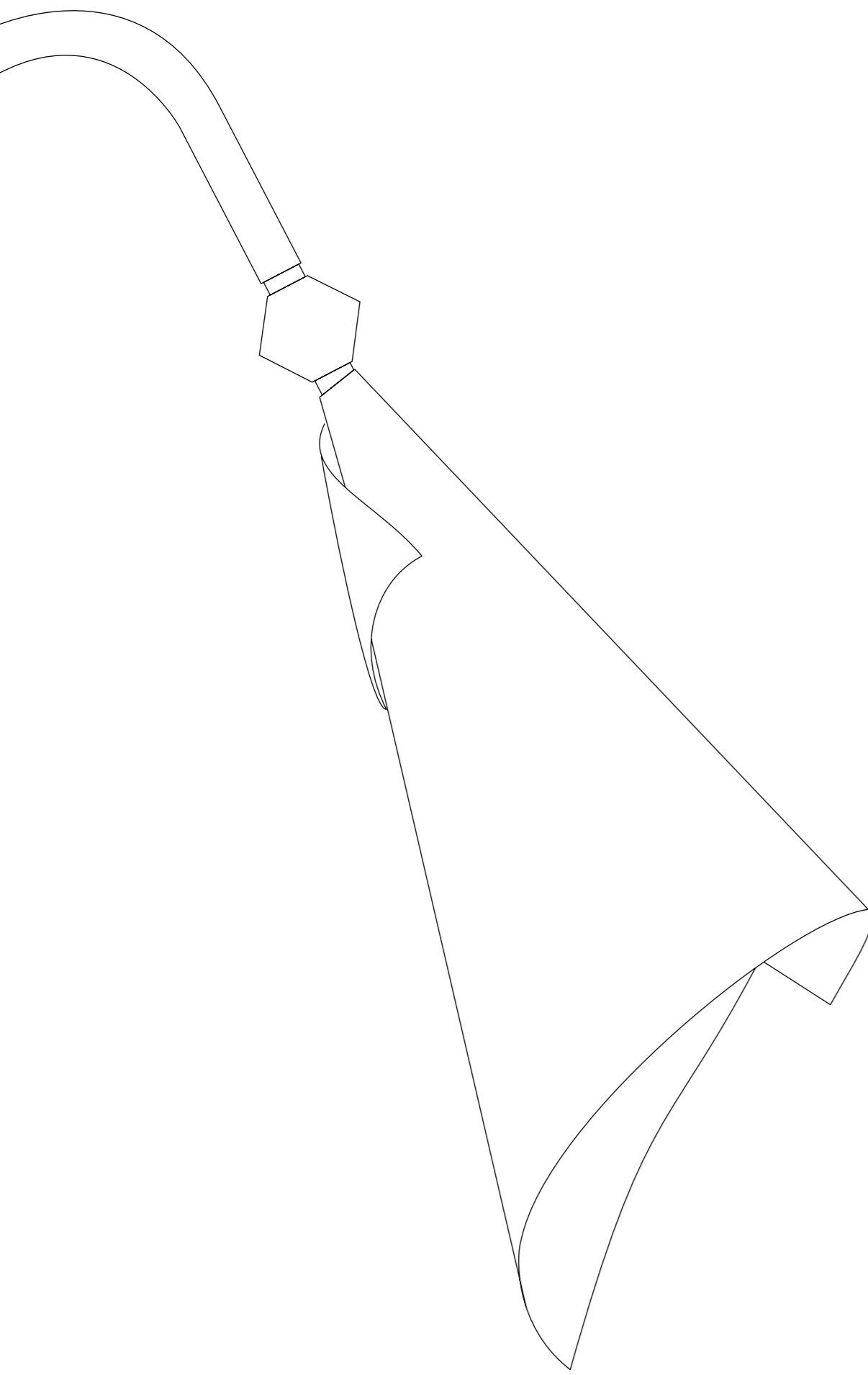


Sand  
Porcelain

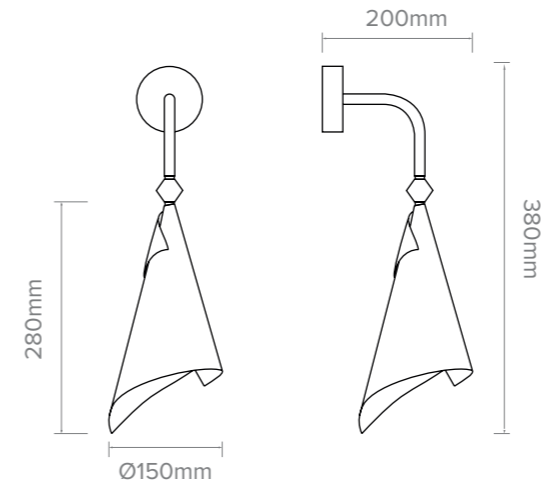


Marble  
Porcelain





**ARUM**  
WALL LIGHT



**YEAR OF DESIGN**

2010

**MADE IN**

Australia

**MATERIAL**

Southern Ice Porcelain

**LIGHT SOURCE**

E14, Max 25W

**CORD**

White Cotton Braided/Fibreglass

**IP RATING**

IP20 - For indoor use only

**CERTIFICATION**

ETL/UL tests and certification available upon request for North America/Canada

**DIMENSIONS**

**Porcelain Shade:**

150mm Ø x 280mm H

*Custom dimensions available on enquiry*

**WEIGHT**

1.0kg

**WARRANTY**

2 year commercial / 3 year residential

**AVAILABLE FINISHES**



Ice  
Porcelain



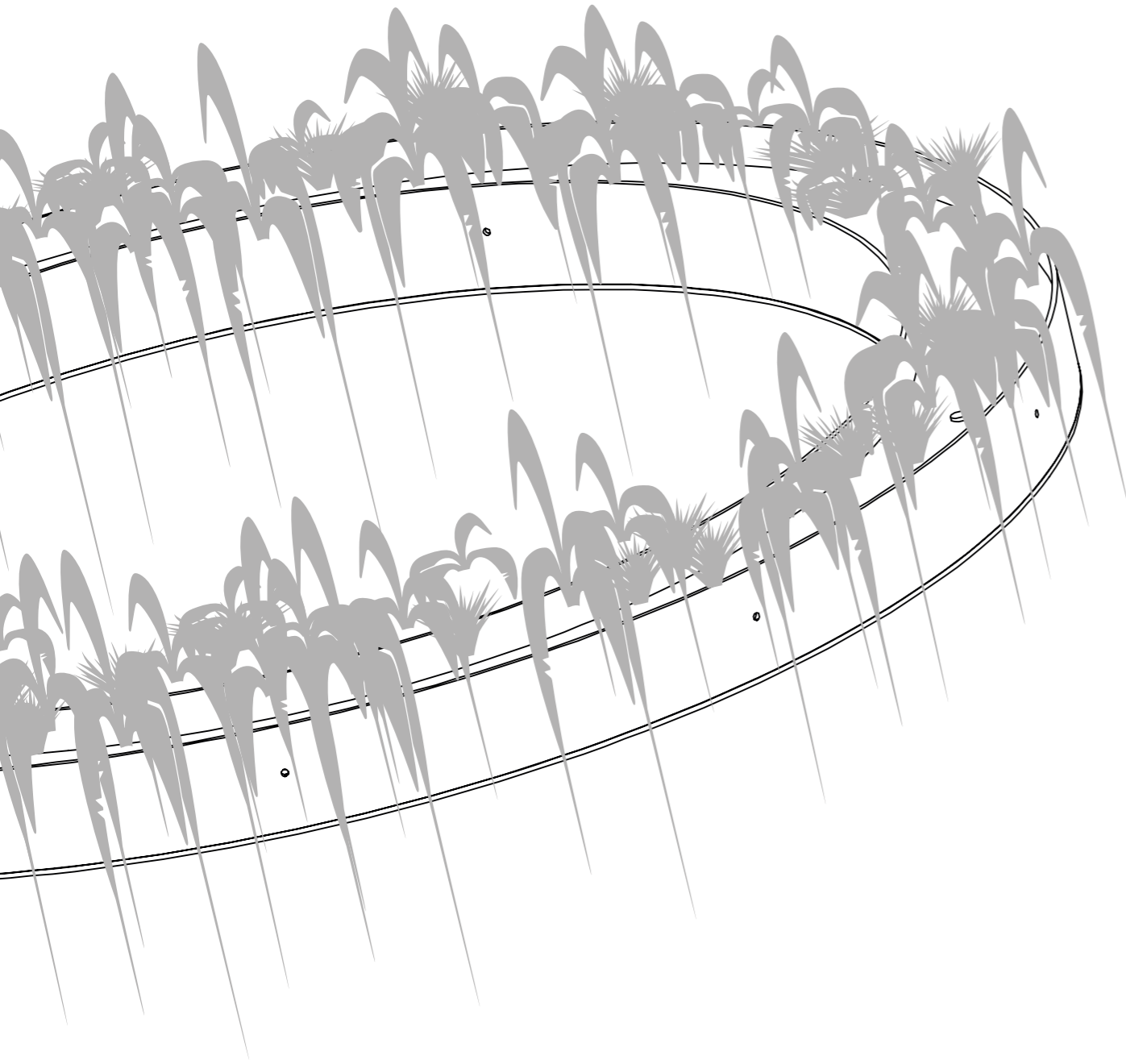
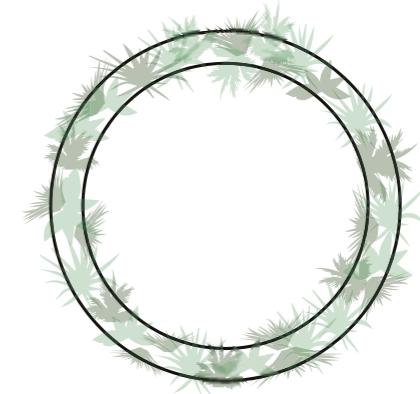
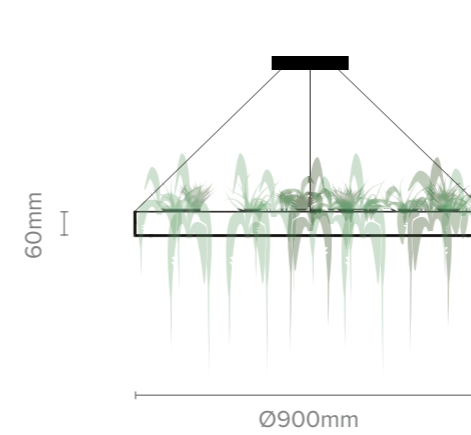
Sand  
Porcelain



Marble  
Porcelain

# TIMELESS HALO

## PENDANT



### YEAR OF DESIGN

2018

### MADE IN

Australia

### MATERIAL

Preserved Evergreen, Acrylic, Aluminium, Stainless Steel Suspension

### LIGHT SOURCE

24V Dimmable Strip LED  
Warm White 3000k

### POWER SUPPLY

120W Dimmable LED Power Supply  
100-120V / 220-240V

### CORD

2m Clear Cord  
*Longer lengths available upon request*

### IP RATING

IP20 - For indoor use only

### CERTIFICATION

ETL/UL tests and certification available upon request for North America/Canada

### DIMENSIONS

Ø900mm x 60mm  
*Custom dimensions available on enquiry*

### WEIGHT

≈ 10kg (weight varies from plant density)

### WARRANTY

2 year commercial / 3 year residential

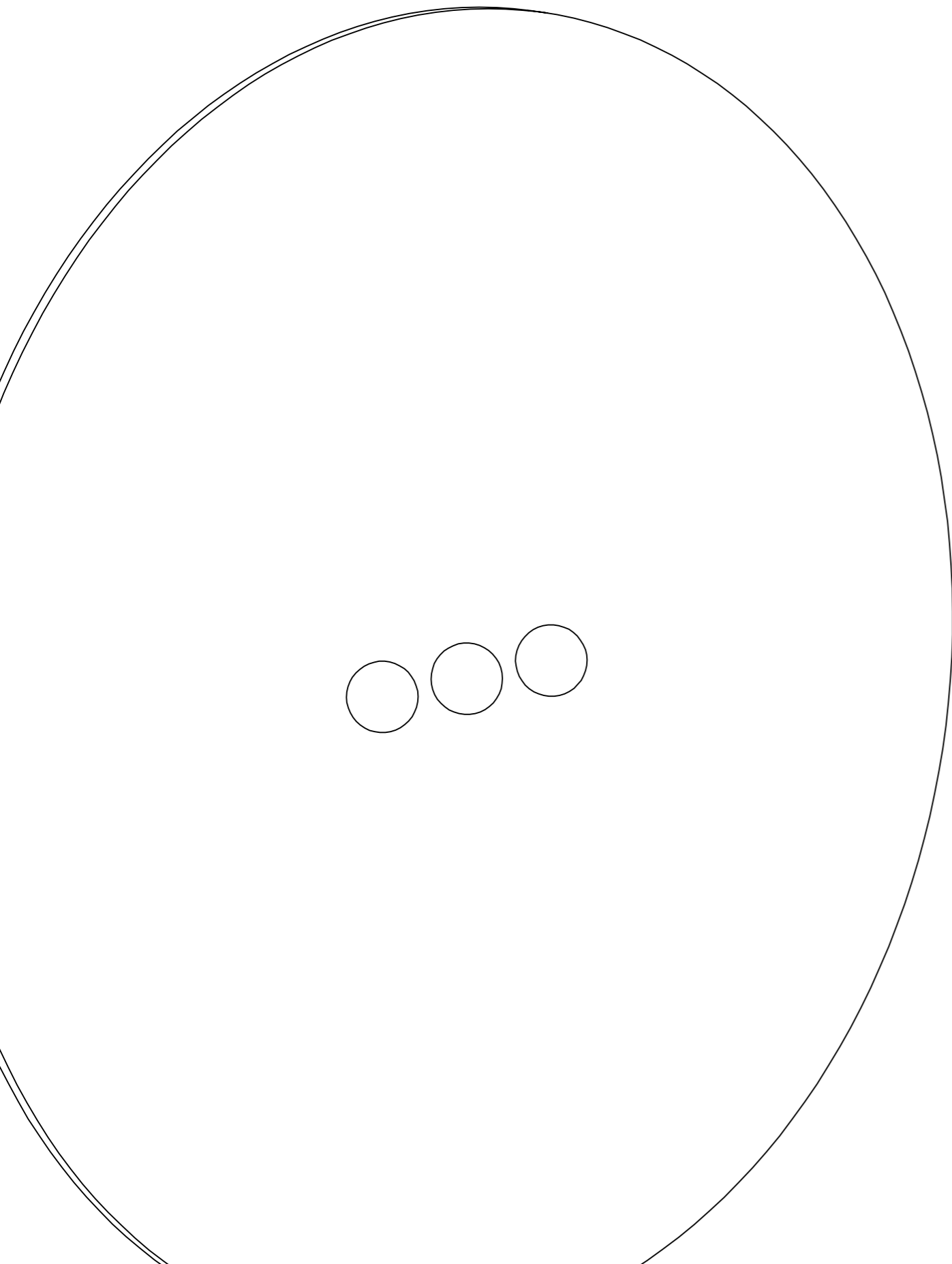
### AVAILABLE FINISHES



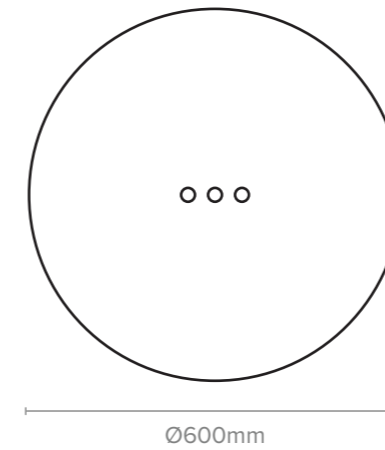
Satin Black  
Powder Coat



Matte Black  
Powder Coat



**ORA**  
INTERACTIVE WALL LIGHT



**YEAR OF DESIGN**  
2008

**MADE IN**  
Australia

**MATERIAL**  
Acrylic/Timber, Steel, Bakelite

**LIGHT SOURCE**  
12V Addressable RGB Strip LED

**CONTROL/POWER SUPPLY**  
Tridonic ATCO Mixer and Driver  
100-120V / 220-240V

**IP RATING**  
IP20 - For indoor use only

**CERTIFICATION**  
ETL/UL tests and certification available upon request for North America/Canada

**DIMENSIONS**  
600mm Ø x 40mm  
*Custom dimensions available on enquiry*

**WEIGHT**  
Zenolite - 5.0kg  
Acrylic Mirror - 5.0kg  
Timber - 8.0kg

**WARRANTY**  
2 year commercial / 3 year residential

**AVAILABLE FINISHES**



Zenolite  
Acrylic



Mirror  
Acrylic



Tasmanian Oak  
Timber

1/264 St Kilda Road  
St Kilda, VIC 3182  
Melbourne, Australia  
info@ilanel.com  
+61 (03) 9534 1164  
ilanel.com

Copyright ©2020 ILANEL Design Studio Pty Ltd.

All concepts, photography and drawings contained within this document are private and confidential.  
They must not be reproduced in any way or form and remain the intellectual property of ILANEL™.